

# MAC PV09 Pulse Valve



The MAC Pulse Valve Series is designed to surpass the performance and reliability of existing pulse valve technology. The MAC solution utilizes a long life, bonded-spool design, instead of the traditional diaphragm style. MAC also uses a balanced pilot valve that isolates the solenoid from airline contamination. Available with integral solenoid pilot as well as bleed pilot configurations.

## Ease of Installation

The MAC Pulse Valve can conveniently be installed in virtually any application. A traditional 90° base or optional adapter plate allows the MAC valve to directly replace diaphragm technology with our bonded spool technology without disturbing existing plumbing. You can even use existing remote solenoids or our integral solenoid pilot for the ultimate performance and reliability.

## Harsh Environment Compatible

An aluminum die-cast body, Viton® seals and an environmentally protected solenoid are standard features, making the MAC valve chemical resistant and suitable for extreme temperature environments.

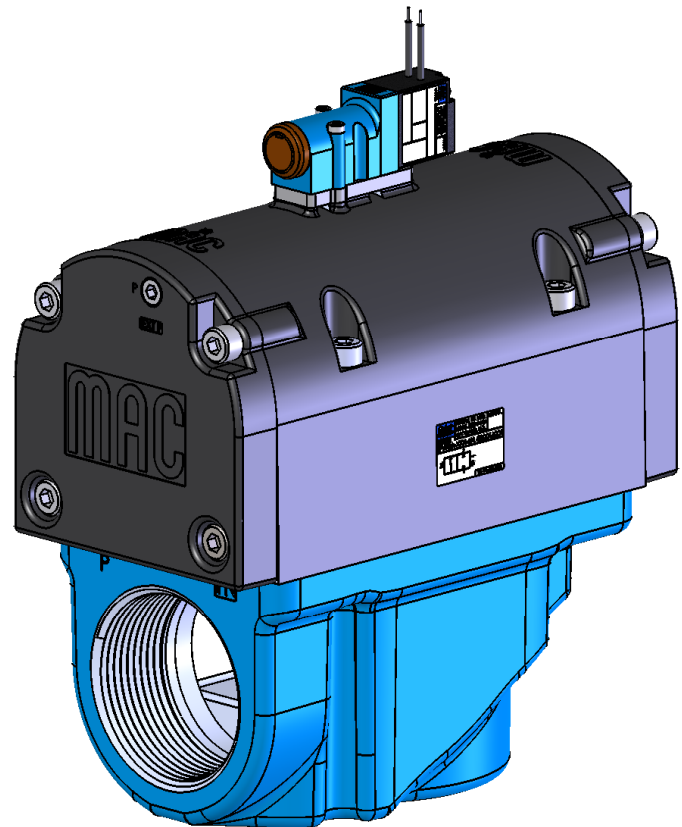
## Maintenance & Efficiency

The MAC bonded spool pulse valves delivers lower cost of ownership through reduction in downtime and lower air consumption. When necessary, maintenance is simplified with available spool kits.

## Spool Kits

Kit

Viton® S-PV003-05



## Product Characteristics and Performance

Flow	Temp Range Viton	Pressure Range
100 Cv	-20°F - 230°F	30 - 120 PSI
	-29°C - 110°C	2.07 - 8.27 bar

# MAC PV09 Pulse Valve



## Configuration Options

Integral Pilot **PV09B - XXX - 46L - DXXX - XXX = XXXX**

Remote Bleed **PV09B - XXX - 46L - RBXX = XXXX**

**Modifications**  
see below

Spool Type	Base Port Size & Thread Type	Int / Ext Pilot	Remote Bleed
0 Base Only	0 Basic Valve No Base	0 Base Only	11 NPTF threads
A N.C. Main W/Memory Spring Viton® Seals Thru-out	A 2" NPTF MAC Base	A Internal Pilot NPTF threads	14 BSPPL threads
	B 2 1/2" NPTF MAC Base	B External Pilot NPTF threads	15 BSPTR threads
	C 2" BSPPL MAC Base	C External Pilot BSPPL threads	
	D 2 1/2" BSPPL MAC Base	D External Pilot BSPTR threads	
	E 2" BSPTR MAC Base	E Internal Pilot BSPPL threads	
	F 2 1/2" BSPTR MAC Base	F Internal Pilot BSPTR threads	

## Solenoid Valve Options

**46L - DXXX - XXX**

Voltage	Lead Wire Length	Manual Operator	Electrical Connector
DC	A 18"	0 No Operator	BA* Grommet
DA 24 VDC (5.4 W)	B 24"	1 Non Locking	BK Grommet w/Diode
EW 24 VDC(8.0 W)	C 36"		CM* Metal Conduit 1/2"
AC (Requires Modification)	D 48"		CN* Metal Conduit w/Ground 1/2"
DD 24 VAC (7.3 W)	E 72"		JA* Square Plug-in
DP 48 VAC (5.8 W)	F 96"		JB Rectangular Plug-in
EM 120 VAC (6.2 W)	J External Plug-In Lead		JC* Square Plug-in w/Light
GD 220 VAC (7.3 W)			JD Rectangular Plug-in w/Light
			JJ* Square Male Only
			JM Rectangular Male Only
			KA* Mini Plug-in
			KB Mini Plug-in w/Diode
			KD Mini Plug-in w/Light
			KE Mini Plug-in w/Light & Diode
			KC Mini Plug-in w/LED & Diode
			KJ* Mini Plug-in Male Only
			KK Mini Plug-in Male Only w/Diode

### Pilot Only Options - Bodies and Assemblies

- 46LB-LR0-RBXX=XXXX (bleed pilot valve)  
See options above and modifications below
- 46LB-LP0-DXXX-XXX=XXXX (solenoid operated pilot valve)  
See options above and modifications below

### Modifications - One Selection Required

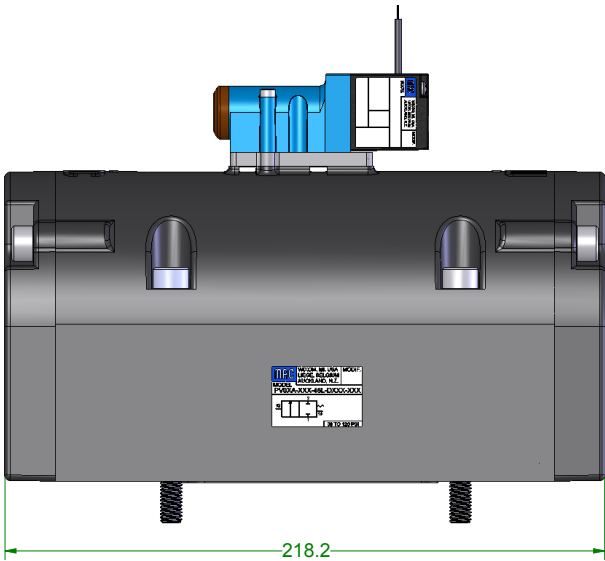
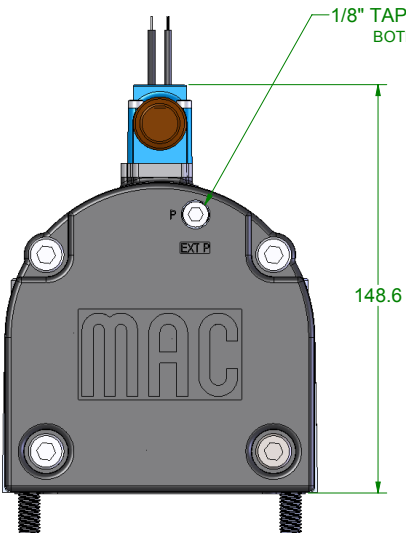
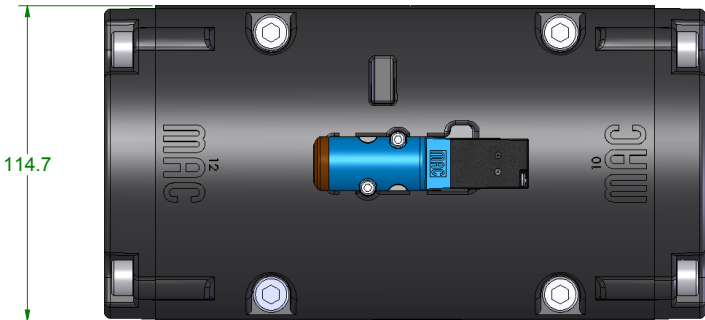
- PVVT Viton Seals
- PVVR Viton Seals and AC Voltage - Rectified
- PV01 Viton Seals, Silicone free grease
- PV02 Viton Seals, Silicone free grease and AC Voltage - Rectified
- PV03 Viton Seals, FDA food grade grease
- PV04 Viton Seals, FDA food grade grease and AC Voltage - Rectified

### Spool and Adapter Kits

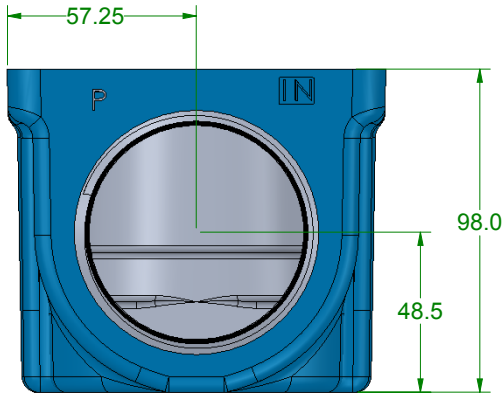
- K-PV003-05 Viton® (includes seals and spring)
- N-PV001-01 Solenoid Adapter Plate
- N-PV001-02 Remote Bleed Adapter Plate
- N-PV002-02 PV09 Check Stem Kit

\* (Connectors available with AC voltage-  
requires modification)

# MAC PV09 Pulse Valve



# MAC PV09 Pulse Valve



MAC 2" & 2.5" BASE

