

LCA50 Series

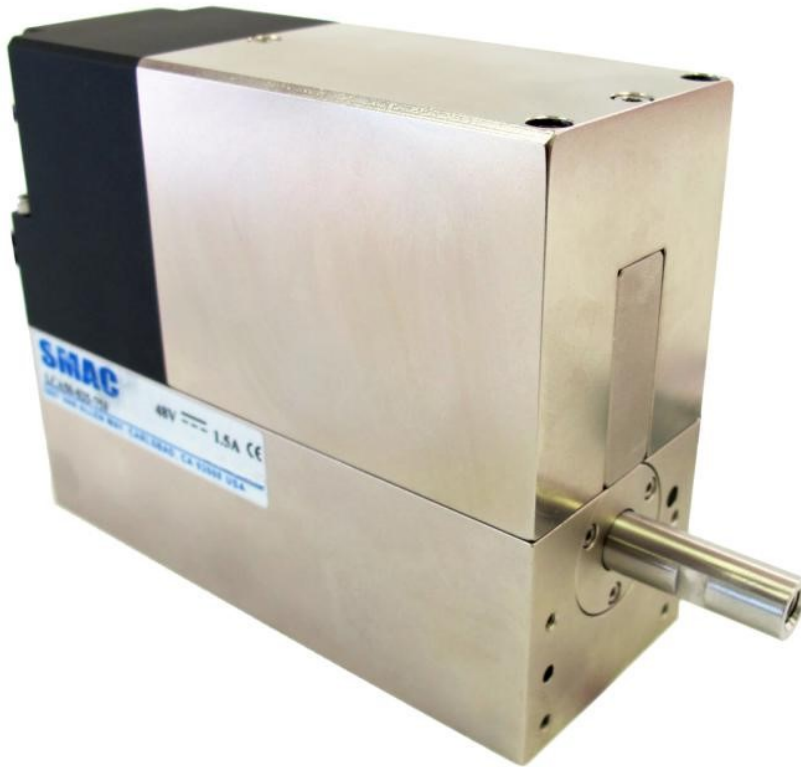
Linear Actuator

Control force on high cycle applications
Long life, over 100million cycle
Up to 40G acceleration

LCA50 Series

| | |
|--------------------------------------|---|
| Dimensions [mm] | 100 x 125 x 50 (25mm stroke) |
| Stroke [mm] | 25, 50, and 100 (+1/-0) (Consult factory for longer stroke) |
| Peak Force [N] | up to 110 |
| Encoder Resolution [μm] | 5 (standard) 1 & 0.1 (Options) |

SMAC's Patented 'Soft-Land' Technology
Fully programmable in force, position and velocity
Ideal for high cycle applications
Precise control in position and speed
Linear slide models available



Applications



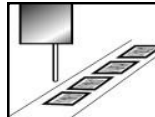
Ejecting/Rejection
Diverting/Sorting



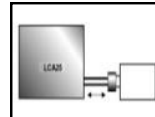
Bottle filling/
Liquid Nitrogen
Dosing



De-blistering



Labelling



Scanning/Positioning
(High cycle)

www.smac-mca.com

SMAC

Moving Coil Actuators

LCA50 series Linear Actuator

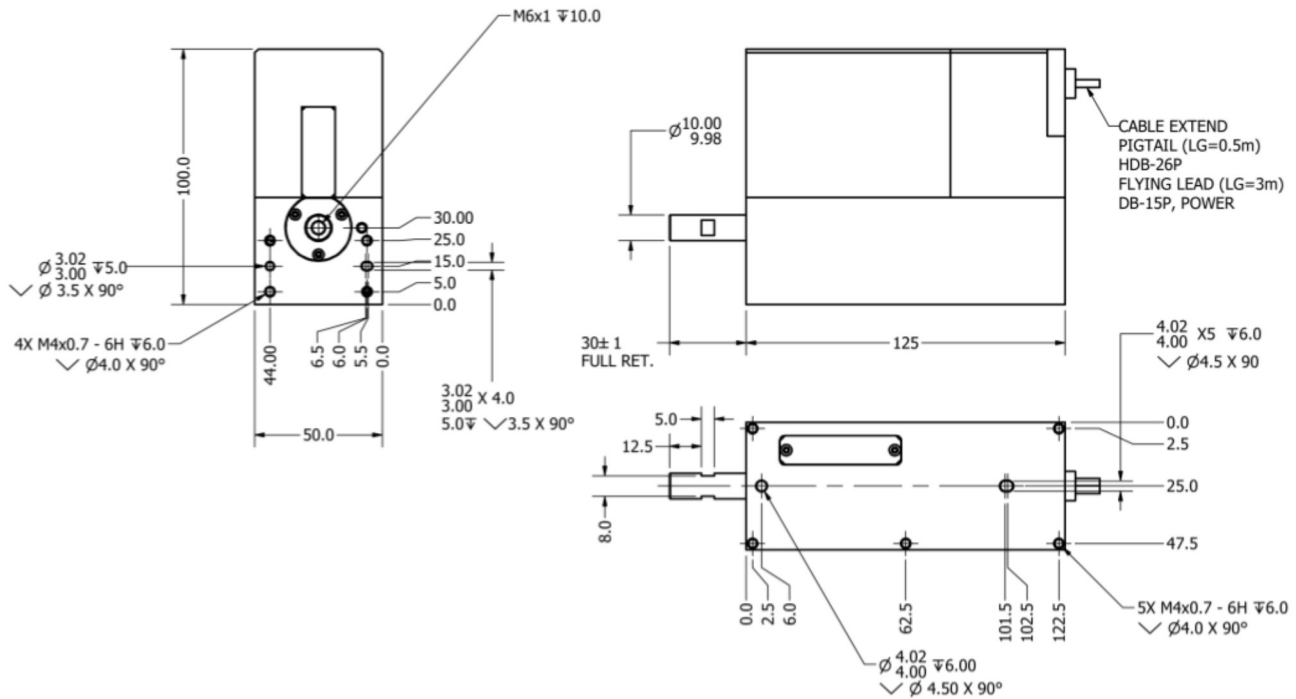
PART NUMBERING

| MODEL | SERIES | STROKE | VOLT ENCODER | SHAFT | VACUUM | SPRING | CABLE | | | | | | | |
|-------|--------|------------------------|--------------|------------|--|--------|-------|---|---|---|--|-----------------|--|--|
| LCA50 | | 025 | | | V | | | M | O | D | | | | |
| | | 1 = 24 vdc 6 COIL | 1 = 1.0µm | B = BLANK | SA=0g payload, vertical, full return | | | | | | | 3 = Flying Lead | | |
| | | 3 = 48 vdc 6 COIL | 5 = 5.0µm | F = FEMALE | SB=50g payload, vertical, full return | | | | | | | 5 = Pigtail | | |
| | | 5 = 24 vdc SINGLE COIL | 2 = 0.1µm | M = MALE | SC=100g payload, vertical, full return | | | | | | | | | |
| | | 7 = 48 vdc SINGLE COIL | | C = CUSTOM | SD=0g payload, vertical, counter balance | | | | | | | | | |
| | | | | | SE=50g payload, vertical, counter balance | | | | | | | | | |
| | | | | | SF=100g payload, vertical, counter balance | | | | | | | | | |

SPECIFICATION

| | | | |
|--------------------------|---------------------------------|-----------------------------|-------------------------|
| Dimension [mm]: | 100 x 125 x 50 (25mm stroke) | Linear stroke [mm]: | 25, 50, and 100 (+1/-0) |
| Peak force [N]: | 50 - 110 | Force constant [N/A]: | 30 - 68 |
| Encoder resolution [µm]: | 5 standard (1 and 0.1 optional) | Encoder repeatability: | +/- 4 encoder count |
| Encoder repeatability: | +/- 4 encoder count | Moving mass [Kg]: | 0.335 - 0.665 |
| Total mass [Kg]: | 2.16 - 5.7 | Operating temperature [°C]: | 0 - 65°C |

DIMENSIONS LCA50-025 SERIES



Regional Distributor



5807 Van Allen Way, Carlsbad, CA 92008
+1 760-929-7575 info@smac-mca.com

Specifications subject to change without notice.

Rev. 3