

LCA6 Series

Linear Actuator

The thinnest moving coil linear motor; only 6mm in width

Ideal for pick and place

Compact and stackable

Cross roller guide integrated

Vacuum and spring optional

LCA6 Series

Dimensions [mm]	135x60x6 (10mm stroke)
Stroke [mm]	10 (+1/0mm)
Peak Force [N]	3.5 @ 1.2 Amp (24VDC)
Encoder Resolution [μm]	5 standard, 1.0 optional

Compact direct drive actuator, 6mm in width
Ultra-smooth, high accuracy applications
SMAC's Patented 'Soft-Land' technology
Fully programmable in force, position and velocity



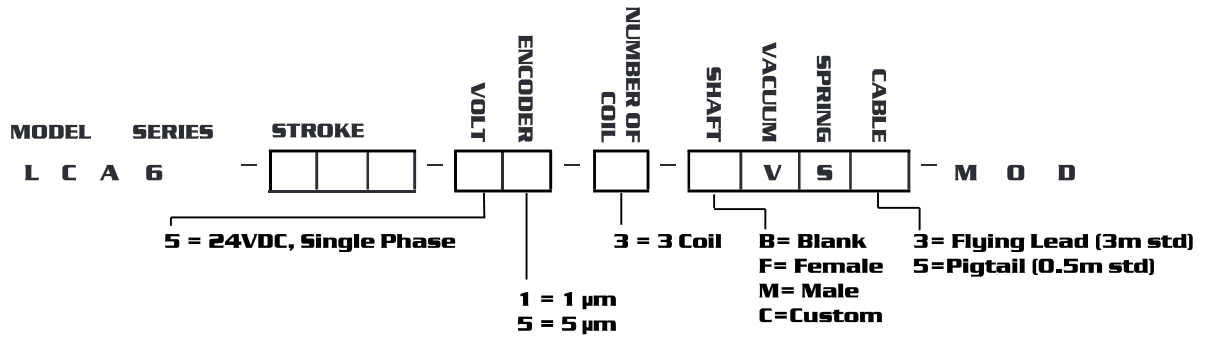
LCA6-010-55-3

www.smac-mca.com

SMAC

Moving Coil Actuators

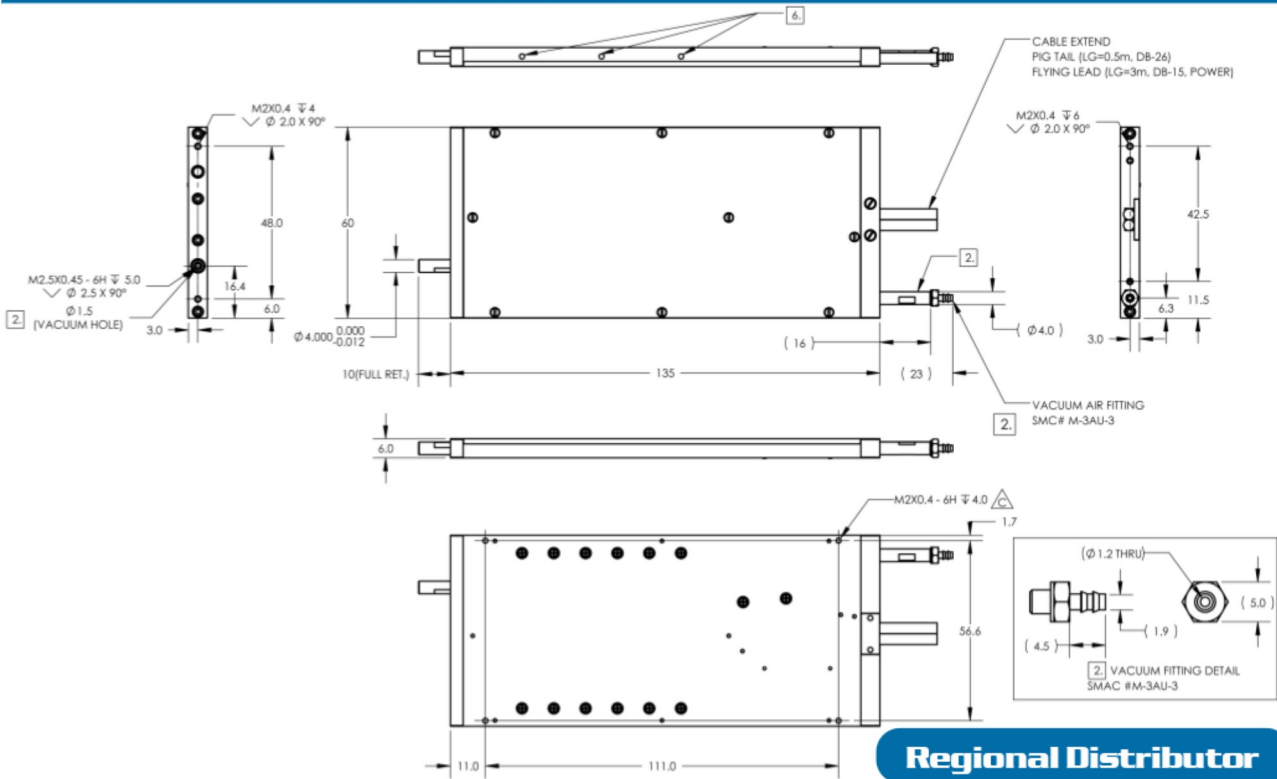
PART NUMBERING



SPECIFICATION

Model	Voltage [DC]	Size: LxWxH [mm]	Stroke [mm]	Peak Force [N]	Force Constant [N/A]	Max. Current [Amp]	Moving Mass [kg]	Weight [kg]
LCA6-010-55-3	24	135x60x6	10	3.5	2.9	1.2	0.037	0.21

DIMENSIONS (LCA6-010-5X-3 model)



Regional Distributor



5807 Van Allen Way, Carlsbad, CA 92008
+1 760-929-7575 info@smac-mca.com

Specifications subject to change without notice.
Rev.201705