

LCR16 Series

Linear Rotary Actuator

Direct drive brushless servo motor

Low shaft run-out, 30 μ m (Lower run-out optional)

Vacuum through shaft prevents dust accumulation

MTBF 100 million life cycle

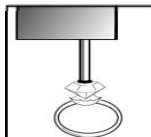
LCR16 Series

Dimensions [mm]	60 x 170 x 16
Stroke [mm]	15 (+1/-0)
Peak Force [N]	8 @ 1.5 Amp (24VDC)
Encoder Resolution [μ m]	5 standard, 1.0 and 0.1 optional
Rotary Encoder Resolution	20,000 CPR (0.018' Step)

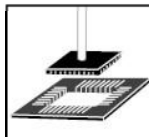
Combined linear and rotary motions in a single unit
Fully programmable in force/torque, position and velocity
SMAC's Patented 'Soft-Land' Technology
Self-lubricated linear guide



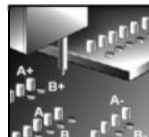
Applications



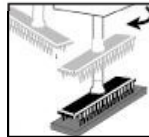
Pick, Orient & Press



IC Handling



Gauging & Sorting Parts



High Resolution Rotary



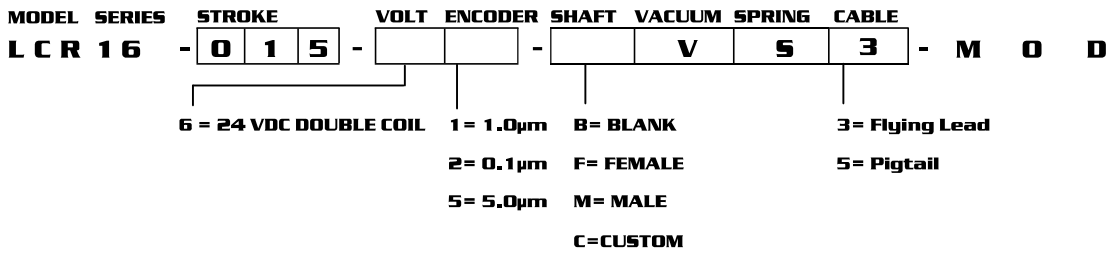
Chip Bonding

www.smac-mca.com

SMAC

Moving Coil Actuators

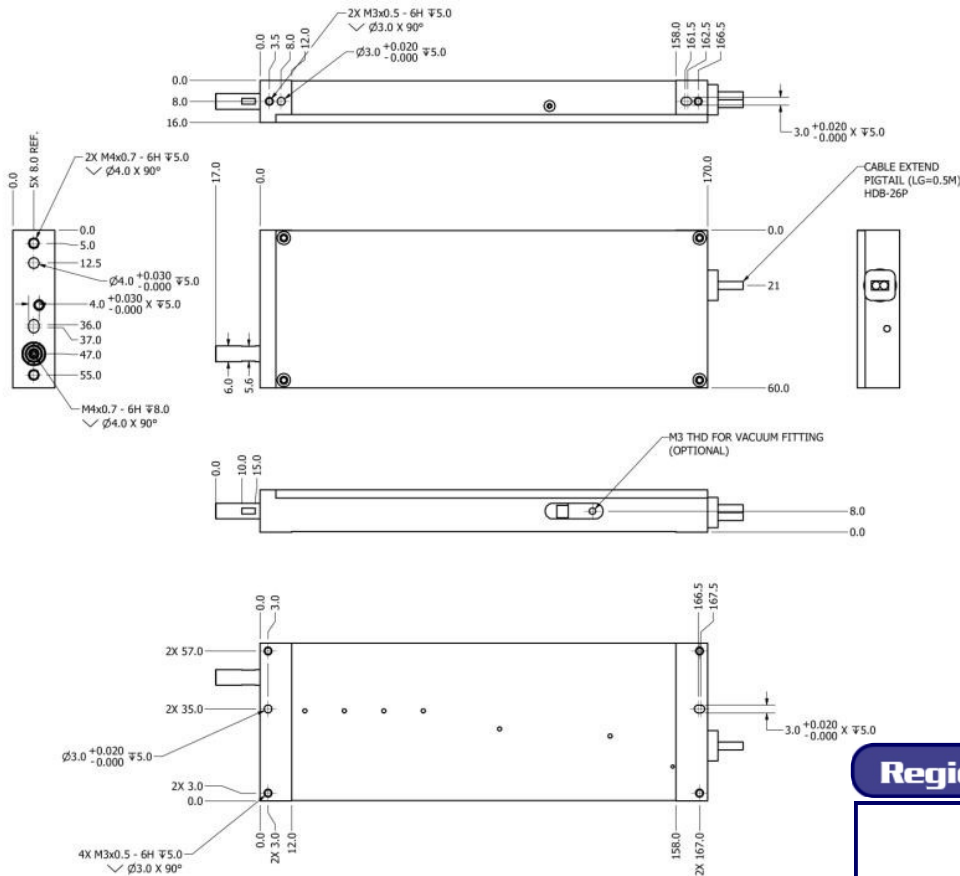
PART NUMBERING



SPECIFICATION

Dimension [mm]:	60 x 170 x 16	Linear stroke [mm]:	15 (+1/-0mm)
Encoder resolution [µm]:	5.0 standard (1.0 and 0.1 option)	Encoder accuracy:	±4 encoder counts
Linear peak force [N]:	8 @ 1.5A (24VDC)	Linear force constant [N/A]:	5.2
Rotary angle:	360° Full	Vacuum port:	M3
Peak torque [Nm]:	0.096 @ 6.5A (24VDC)	Continuous torque [Nm]:	0.021 @ 1A
Rotary encoder resolution:	20,000 count/rev (0.018° Step)	Maximum RPM:	6000 (with zero payload & no vacuum)
Shaft run-out [µm]:	30 (20 optional)	Moving mass [kg]:	0.128
Total mass [kg]:	0.697	Operating temperature[°C]:	0 to 40

DIMENSIONS (LCA16-015-6 model)



Regional Distributor



5807 Van Allen Way, Carlsbad, CA 92008
 +1 760-929-7575 info@smac-mca.com

Specifications subject to change without notice.