

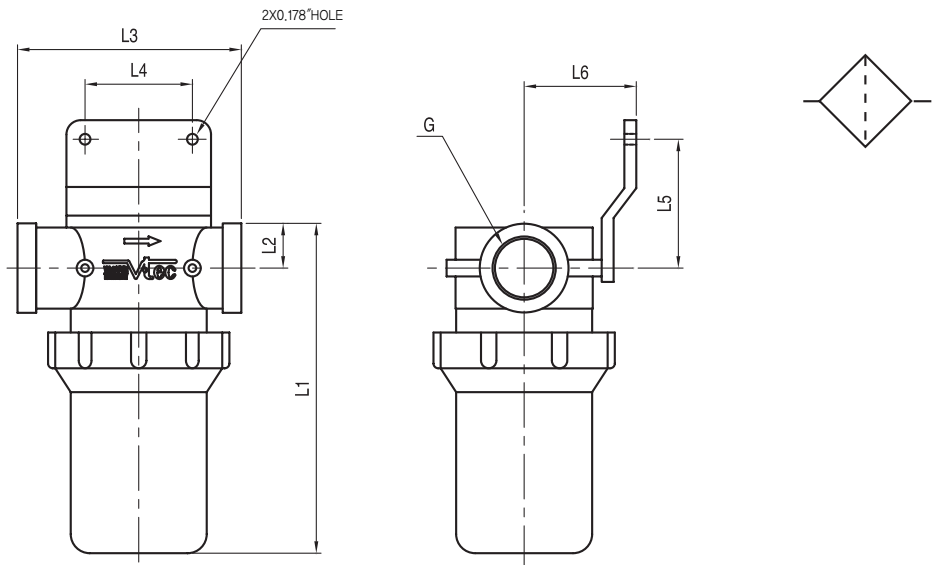
Bowl Vacuum Filter

These filters are useful in conjunction with the larger pumps which use bigger conjunction parts i.e. 3/8". All filters use a detachable bowl and a replaceable element inside.

The housing of the filter comes complete with a surface mounting bracket, this bracket can be mounted either side of the housing. There are five connection sizes available with each size having the option of a standard length bowl and filter or a long style bowl and filter. Elements for all filters can be ordered separately.



Dimensional Information



Operating specifications

[Measure Unit : inch]

Model	Internal Volume (in ³)	Removal Efficiency (μ)	Material	Working Temperature	G	L1	L2	L3	L4	L5	L6	Weight (oz.)	Filter Element Model
VTF 38N-96	12.5	20	PA PC PE	-4°F ~212°F	3/8" NPT	5.5	0.73	3.54	1.75	2.04	1.85	7.97	VTFE27.5-39096
VTF 38N-141	16.4				7.28	0.73	3.54	1.75	2.04	1.85	10.1	VTFE27.5-39141	
VTF 12N-96	12.5				1/2" NPT	5.5	0.73	3.54	1.75	2.04	1.85	8.11	VTFE27.5-39096
VTF 12N-141	16.4				7.28	0.73	3.54	1.75	2.04	1.85	9.49	VTFE27.5-39141	
VTF 34N-96	12.5				3/4" NPT	5.5	0.73	3.54	1.75	2.04	1.85	7.5	VTFE27.5-39096
VTF 34N-141	16.4				7.28	0.73	3.54	1.75	2.04	1.85	9.1	VTFE27.5-39141	
VTF 01N-118	30.2				1" NPT	7.2	1.22	4.92	2.75	2.56	2.64	21.87	VTFE47.4-62118
VTF 01N-154	41.2				8.6	1.22	4.92	2.75	2.56	2.64	24.34	VTFE47.4-62154	
VTF 02N-118	30.2				1 1/2" NPT	7.2	1.22	4.92	2.75	2.56	2.64	19.9	VTFE47.4-62118
VTF 02N-154	41.2				8.6	1.22	4.92	2.75	2.56	2.64	22.4	VTFE47.4-62154	