

Mega Vacuum Filter

This particular vacuum filter is made by steel Hosing, Clip on Bracket and filter element available in PE material or paper. This enable the element can be blown of with compressed air before replaced. This range of Mega filters are useful in conjunction with the larger pumps need highest filter capacity.



Dimensional Information / Order no.

VFS34 - P

①

②

① Model

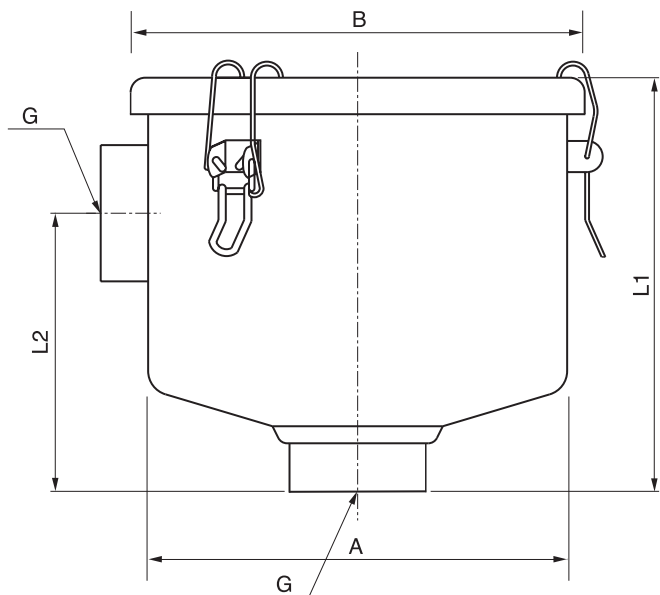
- **VFS34**
- VFS01
- VFS02
- VFS03

② Element material

- no mark - paper
- **P** - polyester(PE)

Model	A	B	L1	L2	G
VFS34	5.08	5.79	4.37	2.68	3/4"NPT"
VFS01	5.08	5.79	4.37	2.68	1"NPT"
VFS02	6.8	7.36	6.77	4.64	1 1/2"NPT"
VFS03	7.64	8.74	10.11	5	2"NPT"

[Measure Unit : inch]



Operating specifications

Model	Port Size	Internal Volume (in ³)	Removal efficiency (μ)	Material	Working temperature	Weight (oz.)	Filter Element Model	
							paper	polyester
VFS34	3/4"NPT"	73.2	paper : 2 polyester : 5	Steel paper or polyester	-14.8°F~219.2°F	35.3	VFSE34	VFSPE34
VFS01	1"NPT"	73.2				35.3	VFSE34	VFSPE34
VFS02	1 1/2"NPT"	183				74	VFSE02	VFSPE02
VFS03	2"NPT"	396.6				172.8	VFSE03	VFSPE03