

Turtle Filter

- Patented design
- Pleated Media for High Dirt Holding Capacity
- Available PE & Paper elements
- Can be ordered element only
- Compact size
- Easy to disassemble
- Moisture resistant*
- Washable filter element-lukewarm water & mild detergent * * Only for PE element



Order no.

VTF34N - 2

① ②

① Model

VTF38N

VTF12N

• VTF34N

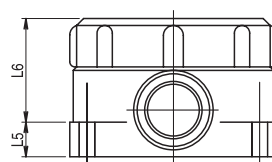
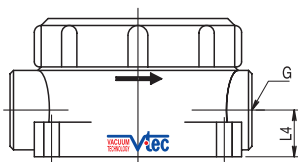
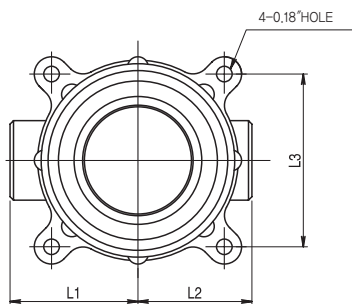
② Element material

1 - Paper

• 2 - Polyester(PE)

Characteristics

Model	Port Size	Internal Volume (in ³)	Removal Efficiency (μ)	Material	Working Temperature	Weight (oz.)	Filter Element Model
VTF38N - 1	3/8"NPT	2.13	Paper:2 Polyester:5	PA	-14.8°F~219.2°F	2.82	VTFE341
VTF38N - 2	3/8"NPT	2.13				2.82	VTFE342
VTF12N - 1	1/2"NPT	9.15		PC		7.76	VTFE501
VTF12N - 2	1/2"NPT	9.15		PE		7.76	VTFE502
VTF34N - 1	3/4"NPT	9.76		Paper		7.05	VTFE501
VTF34N - 2	3/4"NPT	9.76				7.05	VTFE502



(inch)

Model	L1	L2	L3	L4	L5	L6	G
VTF38N-1(2)	1.45	1.3	1.97	0.53	0.39	1.18	3/8"NPT
VTF12N-1(2)	2.24	2.05	2.99	0.75	0.39	1.85	1/2"NPT
VTF34N-1(2)	2.24	2.05	2.99	0.75	0.39	1.85	3/4"NPT