

Pressure Gauge

- Compressed air : 0~140psi (0~10bar)
- Accuracy : $\pm 2.5\%$ Full scale
- Material : Brass, ABS, PMMA
- Weight (oz.) : 2.04(with nut), 1.83(without nut)

Features

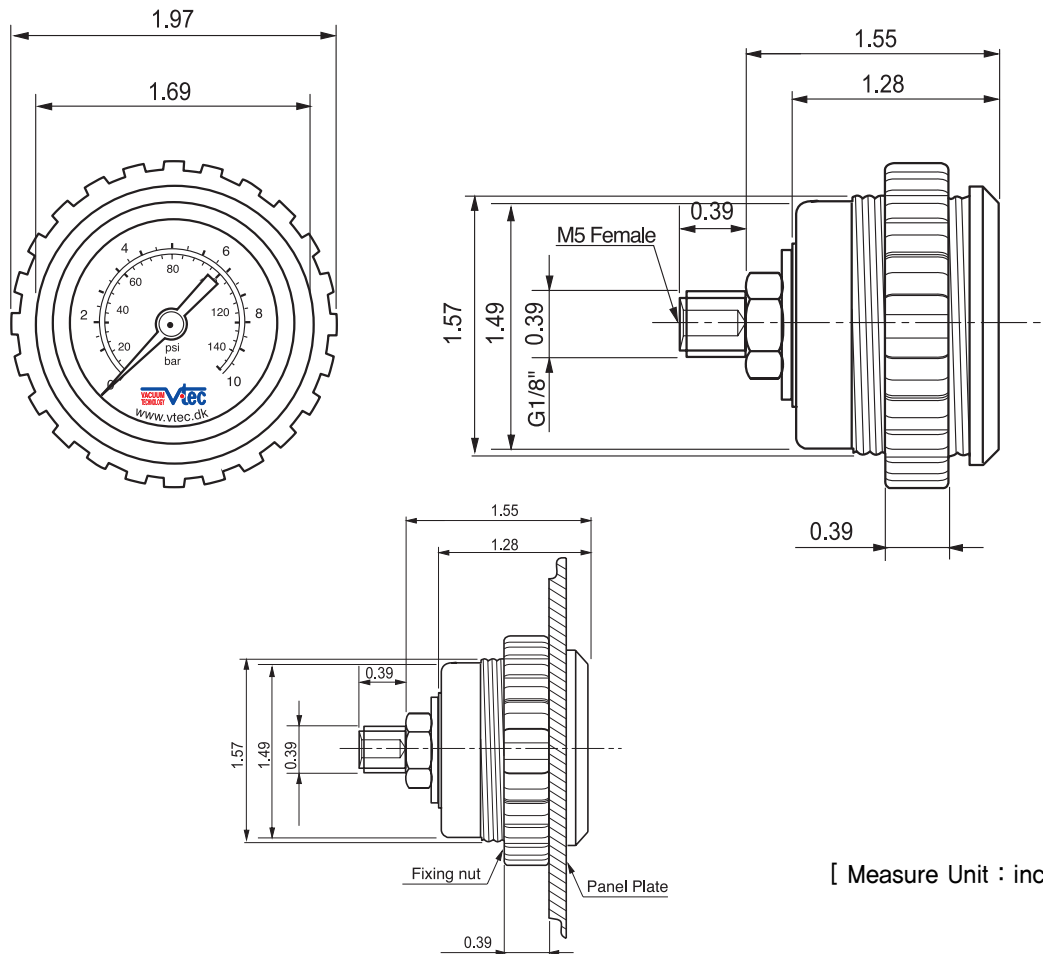
This pressure gauge are high quality & reach a very long life time. Specially, can be mounted directed into the panel plate with fixing nut.



Order no.

Model	Description	Weight (oz.)
VTPG-18 + N	with nut	2.04
VTPG-18	without nut	1.83

Dimensional Data



[Measure Unit : inch]