

## MX - Midiflex Pump

- Max. vacuum level : **-28.64inHg** (-97kPa)
- Max. flow rate : **47.85 scfm** (1355 NI/min)
- Supply air pressure : **58~87 psi, max 101.5psi**  
(4~6bar, max 7bar)
- Supply air type : Dry compressed air
- Working temperature : -4 °F ~ 176 °F
- Noise level : 63~68 dBA



### Main Advantages

This MX-Midiflex pump is a compact manifold based multi stage ejector multi pump arrangement. The MX-Midiflex has the same external dimensions to that of the VTMM, however the internal ejector system is different to enable higher levels of vacuum to be achieved. A good balance between higher flow rates and higher vacuum levels with fast evacuation times can be achieved with this type of pump. The pump features a vacuum gauge along with two 3/4" ports for connecting more than one large bore vacuum pipe. As with most of the other pumps the MX-Midiflex can be specified with an air saving kit, and with Viton® or EPDM as seal options.

### Order No.

**VTMX100 - N34 - AS - A3 - SG2 - N V**

①                      ②                      ③                      ④                      ⑤                      ⑥                      ⑦

① **Model** – Capacity equivalent to electricity motor pump size

- **VTMX100** – 1KW
- VTMX200 – 2KW
- VTMX300 – 3KW

② **Vacuum port**

- **N34** – 2X3/4" NPSF
- N01 – 1" NPSF

③ **Air saving kit**

- no mark – standard
- **AS** – Air saving kit attach

④ **Air supply control valve**

- no mark – Without control valve
- A1 – Electrically operated valve AC110V
- A2 – Electrically operated valve AC220V
- **A3** – Electrically operated valve DC24V
- A4 – Pneumatically operated valve

⑤ **Vacuum switch**

- S2(P) – Digital output 2points, No analog supply  
M8-4Pin male connector (0.3m lead wire)
- **SG2(P)** – Digital output 2points, No analog supply  
Grommet type 4-core 2m lead wire
- SG3(P)** – Digital output 2points, Analog supply  
Grommet type 4-core 2m lead wire

※ Remark : ① S..(P)  
                                └─ Output type : PNP open collector.  
② VCM8 42 : M8-4Pin female connector.  
                                only for type S2(P)

⑥ **Non return valve**

- no mark – standard
- **N** – non return valve

⑦ **Sealing**

- no mark – standard (NBR)
- **V** – Viton®
- E** – EPDM

## Characteristics

Model	max. vacuum (-inHg)	Max. vacuum flow (scfm)	air consumption (scfm)	noise level (dBA)	weight (oz.)	min hose inner Ø (within 6.5ft.)		
						air supply	vacuum	exhaust
VTMX100	28.64	24.54	17.8-21.19	63 ~ 68	84.3	>8	>19	>22
VTMX200		36.62	26.67-31.78	63 ~ 68	89.9	>10	>25	>32
VTMX300		47.85	35.6-42.38	63 ~ 68	121.2	>10	>32	>40

## Vacuum flow in (scfm) at different Vacuum level (-inHg)

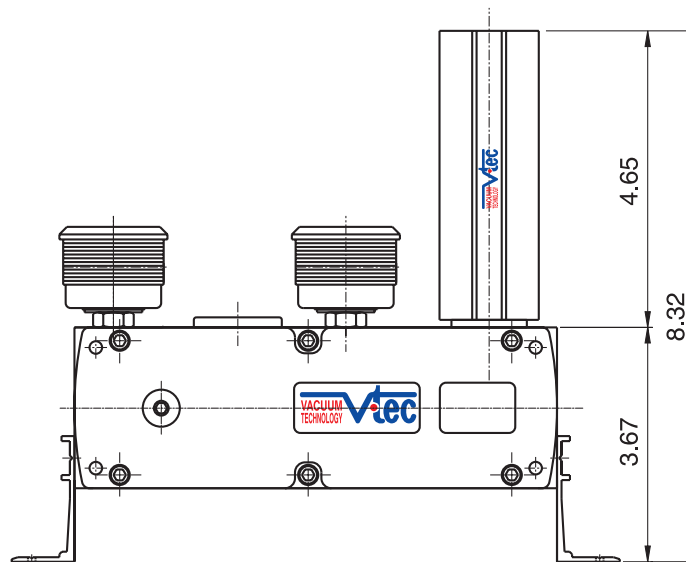
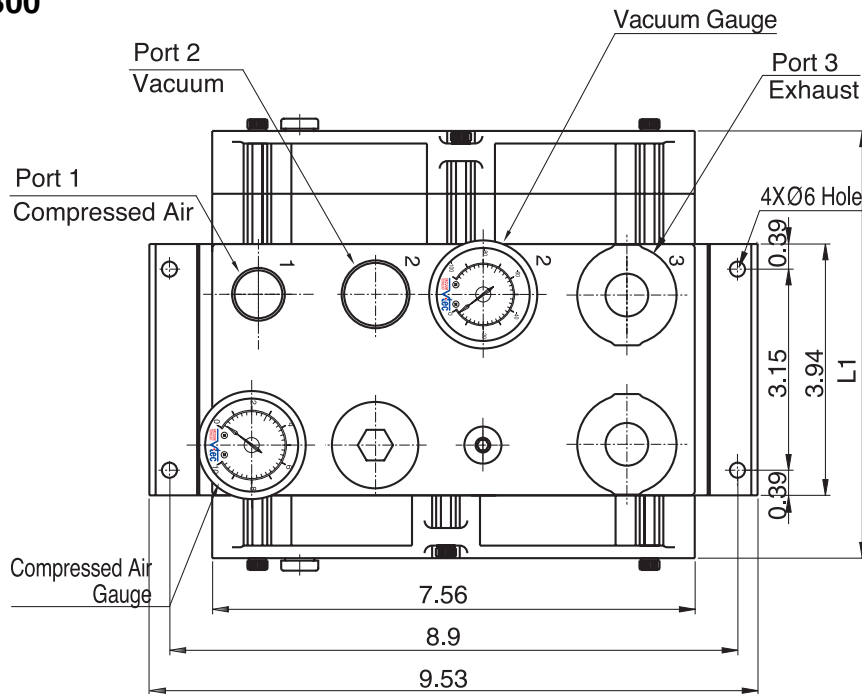
Model \ -inHg	0	2.95	5.9	8.85	11.81	14.76	17.71	20.67	23.62	26.57	28.05
VTMX100	24.54	20.06	14.51	9.18	4.91	3.81	2.96	2.12	1.59	0.6	0.21
VTMX200	36.62	29.8	21.72	14.05	7.45	5.72	4.45	3.17	2.43	0.91	0.31
VTMX300	47.85	38.7	28.71	18.71	10.2	7.62	5.93	4.23	3.25	1.16	0.42

## Time in seconds to evacuate to vacuum level (sec/l)

Model \ -inHg	2.95	5.9	8.85	11.81	14.76	17.71	20.67	23.62	26.57	28.05
VTMX100	0.0093	0.017	0.036	0.064	0.123	0.184	0.272	0.397	0.674	0.948
VTMX200	0.0064	0.012	0.024	0.047	0.082	0.123	0.186	0.256	0.448	0.631
VTMX300	0.0049	0.009	0.018	0.031	0.061	0.092	0.141	0.197	0.336	0.473

**Dimensional Information**

**100  
VTMX (200)  
300**



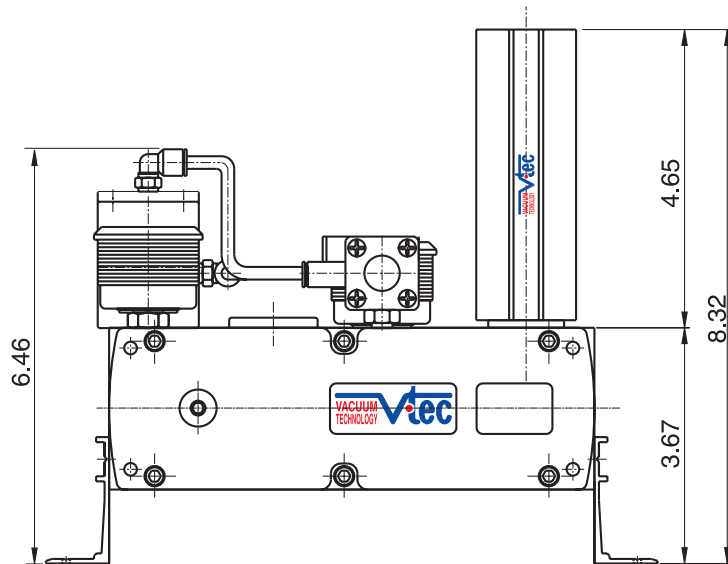
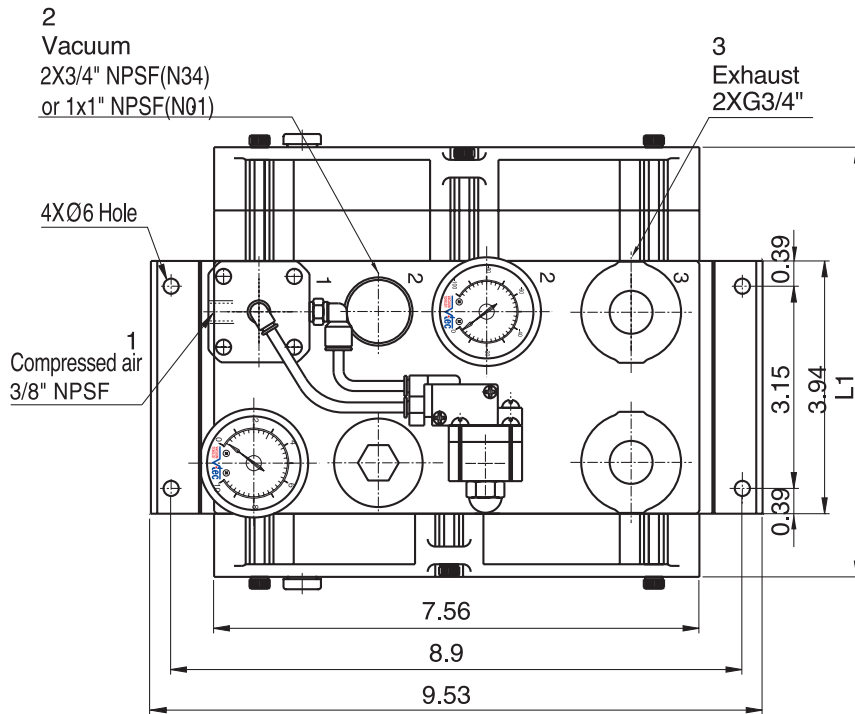
[ Measure unit : inch ]

- Port1 : 1/2" NPSF
- Port2 : 2x3/4" NPSF(N34), 1X1" NPSF(N01)
- Port3 : 2xG3/4"

Model	L1 (inch)
VTMX100	5.91
VTMX200	6.67
VTMX300	8.2

Dimensional Information

with AS - KIT



[ Measure unit : inch ]

Model	L1 (inch)
VTMX100	5.91
VTMX200	6.67
VTMX300	8.2

VACUUM PUMPS