

## Air / Vacuum Manifolds

Its important to maintain pipe bore size on vacuum circuits when using more than one suction cup.

The Vtec manifolds enable multiple connections to be made back to one common large BSP connection. The manifolds are very compact and are available in a number of configurations to suit most applications. Each manifold is manufactured from lightweight anodised aluminum and comes complete with mounting brackets and one end plugged.



**Order no.**

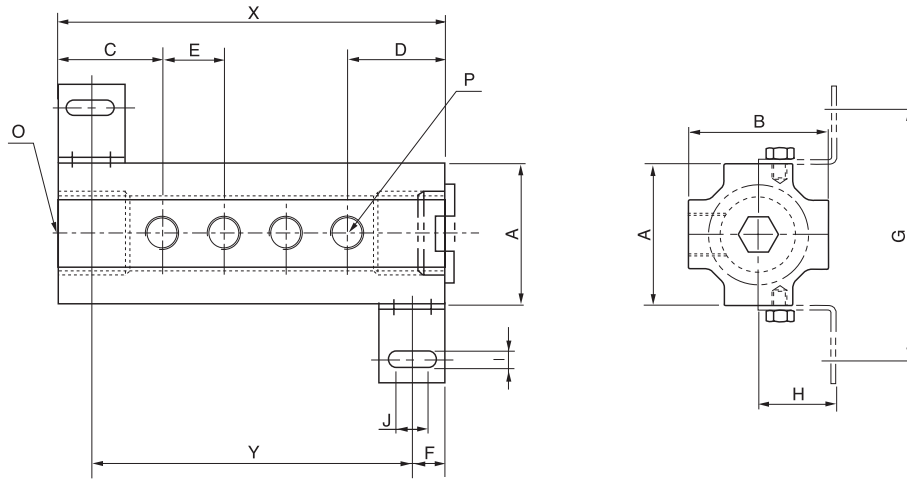
※ n : Port Quantity

MODEL	Supply Port Size	Manifold Port Size	(MAX) Manifold Port Q'ty
VTDF38N-18Xn	3/8" NPSF	1/8" NPSF	60
VTDF12N-18Xn	1/2" NPSF	1/8" NPSF	60
VTDF12N-14Xn	1/2" NPSF	1/4" NPSF	50
VTDF34N-18Xn	G3/4"	1/8" NPSF	60
VTDF34N-14Xn	G3/4"	1/4" NPSF	50
VTDF34N-38Xn	G3/4"	3/8" NPSF	45
VTDL38N-18Xn	3/8" NPSF	3/8" NPSF	120
VTDL12N-18Xn	1/2" NPSF	1/8" NPSF	120
VTDL12N-14Xn	1/2" NPSF	1/8" NPSF	100
VTDL34N-18Xn	G3/4"	1/4" NPSF	120
VTDL34N-14Xn	G3/4"	1/8" NPSF	100
VTDL34N-38Xn	G3/4"	1/4" NPSF	90
VTDC38N-18Xn	3/8" NPSF	1/8" NPSF	120
VTDC12N-18Xn	1/2" NPSF	1/8" NPSF	120
VTDC12N-14Xn	1/2" NPSF	1/4" NPSF	100
VTDC34N-18Xn	G3/4"	1/8" NPSF	120
VTDC34N-14Xn	G3/4"	1/4" NPSF	100
VTDC34N-38Xn	G3/4"	3/8" NPSF	90
VTDE38N-18Xn	3/8" NPSF	1/8" NPSF	180
VTDE12N-18Xn	1/2" NPSF	1/8" NPSF	180
VTDE12N-14Xn	1/2" NPSF	1/4" NPSF	150
VTDE34N-18Xn	G3/4"	1/8" NPSF	180
VTDE34N-14Xn	G3/4"	1/4" NPSF	150
VTDE34N-38Xn	G3/4"	3/8" NPSF	130

※ Please contact Vtec for special type.

**Dimensional Information**

**VTDF Series**  
(Ports on top only)

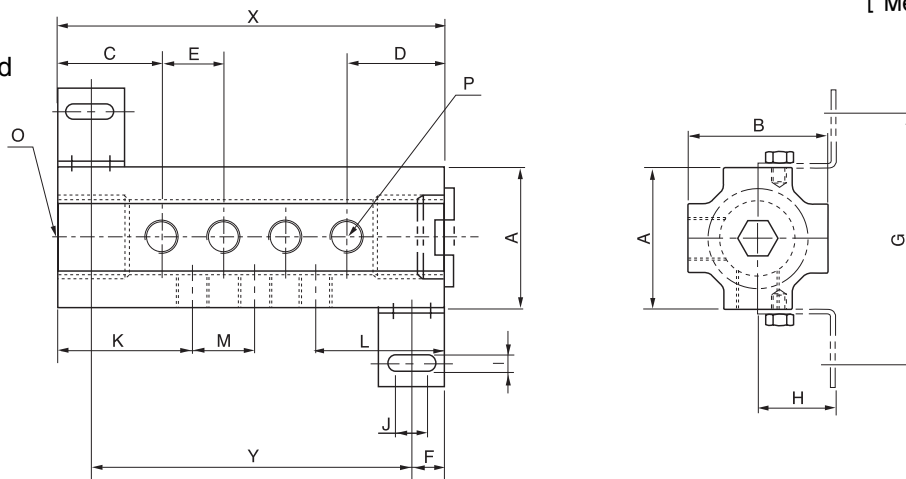


※ n : Port Quantity

MODEL	Vacuum port size (O)	Manifold port size (P)	Manifold port Qty max.(n)	A	B	C	D	E	F	G	H	I	J	X	Y
VTDF38N-18Xn	3/8" NPSF	1/8" NPSF	60	1.38	1.38	0.85	0.85	0.67	0.41	2.64	0.71	0.22	0.39	(n X17)+1.02"	X-0.83"
VTDF12N-18Xn	1/2" NPSF	1/8" NPSF	60	1.38	1.38	0.85	0.85	0.67	0.41	2.64	0.71	0.22	0.39	(n X17)+1.02"	X-0.83"
VTDF12N-14Xn	1/2" NPSF	1/4" NPSF	50	1.38	1.38	0.75	0.75	0.87	0.41	2.64	0.71	0.22	0.39	(n X22)+0.63"	X-0.83"
VTDF34N-18Xn	G3/4"	1/8" NPSF	60	1.77	1.77	1.04	1.04	0.67	0.41	3.15	0.98	0.22	0.39	(n X17)+1.42"	X-0.83"
VTDF34N-14Xn	G3/4"	1/4" NPSF	50	1.77	1.77	1.14	1.14	0.87	0.41	3.15	0.98	0.22	0.39	(n X22)+1.42"	X-0.83"
VTDF34N-38Xn	G3/4"	3/8" NPSF	45	1.77	1.77	1.08	1.08	0.98	0.41	3.15	0.98	0.22	0.39	(n X25)+1.18"	X-0.83"

[ Measure Unit : inch ]

**VTDL - Series**  
(Ports on top and one side)



※ n : Port Quantity

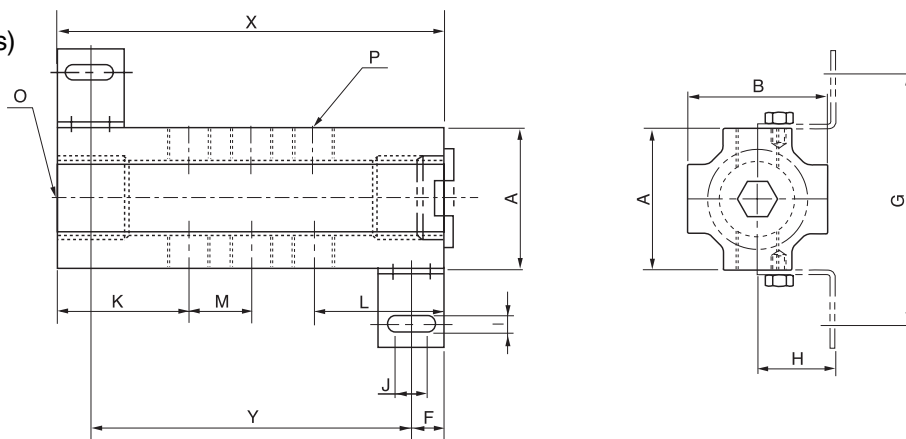
MODEL	Vacuum port size (O)	Manifold port size (P)	Manifold port Qty max.(n)	A	B	C	D	E	F	G	H	I	J	K	L	M	X	Y
VTDL38N-18Xn	3/8" NPSF	1/8" NPSF	120	1.38	1.38	0.85	0.85	0.67	0.41	2.64	0.71	0.22	0.39	1.18	1.18	0.67	※ Please contact Vtec for the dimension.	
VTDL12N-18Xn	1/2" NPSF	1/8" NPSF	120	1.38	1.38	0.85	0.85	0.67	0.41	2.64	0.71	0.22	0.39	1.18	1.18	0.67		
VTDL12N-14Xn	1/2" NPSF	1/4" NPSF	100	1.38	1.38	0.75	0.75	0.87	0.41	2.64	0.71	0.22	0.39	1.18	1.18	0.87		
VTDL34N-18Xn	G3/4"	1/8" NPSF	120	1.77	1.77	1.04	1.04	0.67	0.41	3.15	0.98	0.22	0.39	1.38	1.38	0.67		
VTDL34N-14Xn	G3/4"	1/4" NPSF	100	1.77	1.77	1.14	1.14	0.87	0.41	3.15	0.98	0.22	0.39	1.57	1.57	0.87		
VTDL34N-38Xn	G3/4"	3/8" NPSF	90	1.77	1.77	1.08	1.08	0.98	0.41	3.15	0.98	0.22	0.39	1.57	1.57	0.98		

[ Measure Unit : inch ]

Dimensional Information

**VTDC - Series**

(Ports on both sides)



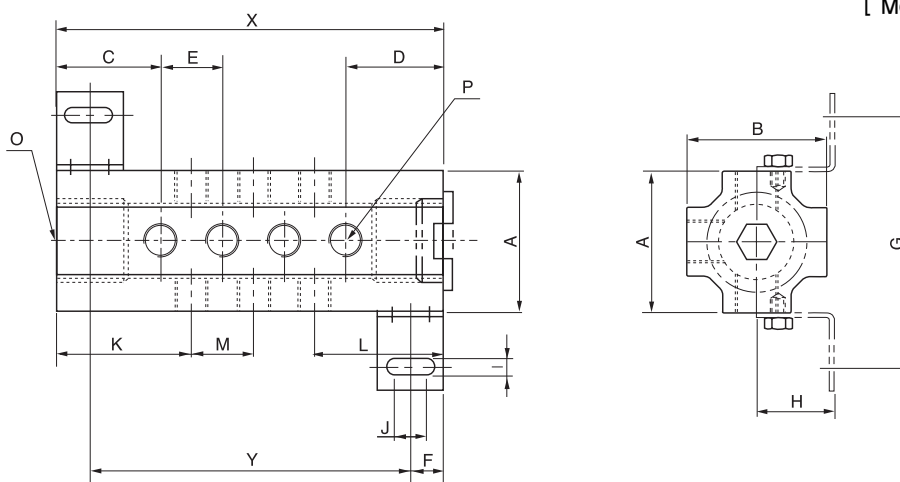
※ n : Port Quantity

MODEL	Vacuum port size (O)	Manifold port size (P)	Manifold port Qty max.(n)	A	B	F	G	H	I	J	K	L	M	X	Y
VTDC38N-18Xn	3/8" NPSF	1/8" NPSF	120	1.38	1.38	0.41	2.64	0.71	0.22	0.39	1.18	1.18	0.67	(n X 17)+1.7"	X-0.826"
VTDC12N-18Xn	1/2" NPSF	1/8" NPSF	120	1.38	1.38	0.41	2.64	0.71	0.22	0.39	1.18	1.18	0.67	(n X 17)+1.7"	X-0.826"
VTDC12N-14Xn	1/2" NPSF	1/4" NPSF	100	1.38	1.38	0.41	2.64	0.71	0.22	0.39	1.18	1.18	0.87	(n X 22)+1.5"	X-0.826"
VTDC34N-18Xn	G3/4"	1/8" NPSF	120	1.77	1.77	0.41	3.15	0.98	0.22	0.39	1.38	1.38	0.67	(n X 17)+2.08"	X-0.826"
VTDC34N-14Xn	G3/4"	1/4" NPSF	100	1.77	1.77	0.41	3.15	0.98	0.22	0.39	1.57	1.57	0.87	(n X 22)+2.08"	X-0.826"
VTDC34N-38Xn	G3/4"	3/8" NPSF	90	1.77	1.77	0.41	3.15	0.98	0.22	0.39	1.57	1.57	0.98	(n X 25)+2.16"	X-0.826"

**VTDE - Series**

(Ports on top and both sides)

[ Measure Unit : inch ]



※ n : Port Quantity

MODEL	Vacuum port size (O)	Manifold port size (P)	Manifold port Qty max.(n)	A	B	C	D	E	F	G	H	I	J	K	L	M	X	Y
VTDE38N-18Xn	3/8" NPSF	1/8" NPSF	180	1.38	1.38	0.85	0.85	0.67	0.41	2.64	0.71	0.22	0.39	1.18	1.18	0.67	※ Please contact Vtec for the dimension.	
VTDE12N-18Xn	1/2" NPSF	1/8" NPSF	180	1.38	1.38	0.85	0.85	0.67	0.41	2.64	0.71	0.22	0.39	1.18	1.18	0.67		
VTDE12N-14Xn	1/2" NPSF	1/4" NPSF	150	1.38	1.38	0.75	0.75	0.87	0.41	2.64	0.71	0.22	0.39	1.18	1.18	0.87		
VTDE34N-18Xn	G3/4"	1/8" NPSF	180	1.77	1.77	1.04	1.04	0.67	0.41	3.15	0.98	0.22	0.39	1.38	1.38	0.67		
VTDE34N-14Xn	G3/4"	1/4" NPSF	150	1.77	1.77	1.14	1.14	0.87	0.41	3.15	0.98	0.22	0.39	1.57	1.57	0.87		
VTDE34N-38Xn	G3/4"	3/8" NPSF	130	1.77	1.77	1.08	1.08	0.98	0.41	3.15	0.98	0.22	0.39	1.57	1.57	0.98		

[ Measure Unit : inch ]