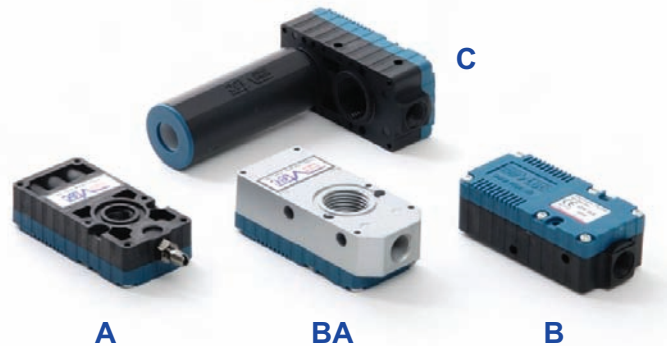


X - Mini Pump

- Max. vacuum level : **-27.46 inHg** (-93 kPa)
- Max. flow rate : **6.53 scfm** (185 NI/min)
- Supply air pressure : **58~87 psi, max 101.5psi**
(4~6bar, max 7bar)
- Supply air type : Dry compressed air
- Working temperature : -4 °F ~ 176 °F
- Noise level : 50~68 dBA



Main Advantages

These X-Mini range pumps are a compact and low weight design. Although they are the smallest of the VTX range they still use a Multi Stage Ejector principal for generating the vacuum. The X-Mini has the same external dimensions to that of the M-Mini, however the internal ejector system is different to enable higher levels of vacuum to be achieved. The X-Mini is a pump that bridges the gap between the High Flow VTM range and the High Vacuum VTH Range, giving a balance of the two. The housings are made from high grade plastic, making the pumps resilient to most hazardous vapours. Because the pumps are so small they can be mounted locally to the vacuum requirement, even directly onto the back of suction cups if required. Different vacuum port sizes are available with options for an integrally mounted exhaust or a 3/8" detachable versions. The pumps can be specified with a vacuum switch or a vacuum quick release module attached directly onto the pump. The pump can have seal materials options of Viton® & EPDM for corrosive and acidic applications.

Order No.

VTX5 NB - A3 CL - S1 - V



① Model – Capacity equivalent to electricity motor pump size

| | |
|--------|----------|
| • VTX5 | – 0.05KW |
| VTX10 | – 0.10KW |
| VTX20 | – 0.20KW |
| VTX30 | – 0.30KW |

② Air Supply, Vacuum, Exhaust Port

| | Air | Vacuum | Exhaust |
|------|----------|-----------|--|
| A | M5-Ø6 | G1/8" | Internal silencer |
| NA | M5-Ø6 | NPSF1/8" | Internal silencer |
| B | G1/8" | G3/8" | Internal silencer |
| BA | G1/8" | G3/8" | Internal silencer, connection plate-AL |
| • NB | NPSF1/8" | NPSF 3/8" | Internal silencer |
| NBA | NPSF1/8" | NPSF 3/8" | Internal silencer, connection plate-AL |
| C | G1/8" | G3/8" | External silencer |
| NC | NPSF1/8" | NPSF 3/8" | External silencer |

※ Standard pump model
 VTX5 – A, NA, B, BA, NB, NBA, C, NC VTX20 – B, BA, NB, NBA, C, NC
 VTX10 – A, NA, B, BA, NB, NBA, C, NC VTX30 – B, BA, NB, NBA, C, NC

③ Air supply control valve

| | |
|------|----------|
| A1 | – AC110V |
| A2 | – AC220V |
| • A3 | – DC24V |

④ Solenoid Terminal

| | |
|-------|---|
| DN | – DIN type without lead wire |
| DL | – DIN type with lamp without lead wire |
| CL* – | Connector type with lamp & 0.3m lead wire |

* Available only with DC24V

⑤ Vacuum switch / Quick release module

| | |
|------|--|
| • S1 | – Mechanical vacuum switch |
| Q1 | – Quick release module : 12cm ³ |
| Q2 | – Quick release module : 30cm ³ |

※ Remark : Air supply control valve available for vacuum pump B, BA, NB, NBA, C, NC type only.

⑥ Sealing

| | |
|---------|------------------|
| No mark | – Standard (NBR) |
| • V | – Viton® |
| E | – EPDM |

Characteristics

| Model | max. vacuum (-inHg) | Max. vacuum flow (scfm) | air consumption (scfm) | noise level (dBA) | weight (oz.) | min hose inner Ø (within 6.5ft.) | | |
|-------|---------------------|-------------------------|------------------------|-------------------|--------------|----------------------------------|--------|---------|
| | | | | | | air supply | vacuum | exhaust |
| VTX5 | 27,46 | 1,14 | 0,77-0,85 | 50 - 65 | - | >2 | >5 | >8 |
| VTX10 | | 2,19 | 1,53-1,7 | 55 - 68 | - | >2 | >8 | >10 |
| VTX20 | | 4,38 | 3,06-3,4 | 63 - 68 | - | >4 | >10 | >12 |
| VTX30 | | 6,54 | 4,58-5,09 | 60 - 68 | - | >6 | >12 | >15 |

* Remarks : type weight = VTX5-A(B,BA,NB,NBA,C,NC) : 0,92oz,(1,06, 1,97, 1,06, 1,48, 1,48)
 VTX10-A(B,BA,NB,NBA,C,NC) : 0,99oz,(1,13, 2,04, 1,13, 2,04, 1,55, 1,55)
 VTX20-B(BA,NB,NBA,C,NC) : 1,45oz,(2,78, 1,45, 2,78, 1,87, 1,87)
 VTX30-B(BA,NB,NBA,C,NC) : 2,17oz,(3,45, 2,17, 3,45, 2,54, 2,54)

Vacuum flow in (scfm) at different Vacuum level (-inHg)

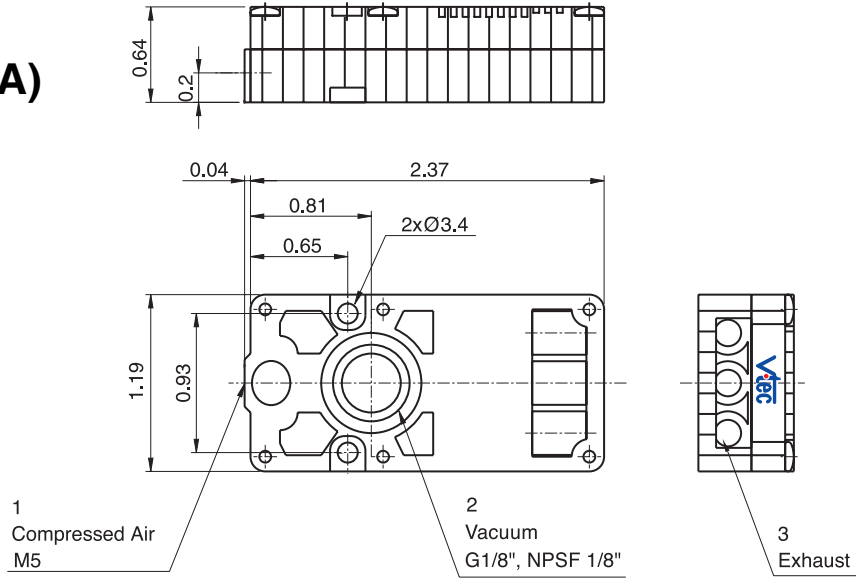
| Model \ -inHg | 0 | 2.95 | 5.9 | 8.85 | 11.81 | 14.76 | 17.71 | 20.67 | 23.62 | 26.57 |
|---------------|------|------|------|------|-------|-------|-------|-------|-------|-------|
| | VTX5 | 1,14 | 0,64 | 0,32 | 0,29 | 0,25 | 0,22 | 0,18 | 0,110 | 0,05 |
| VTX10 | 2,19 | 1,28 | 0,64 | 0,57 | 0,5 | 0,39 | 0,32 | 0,22 | 0,09 | 0,04 |
| VTX20 | 4,38 | 2,55 | 1,24 | 1,14 | 0,96 | 0,78 | 0,64 | 0,43 | 0,17 | 0,07 |
| VTX30 | 6,54 | 3,82 | 1,84 | 1,66 | 1,45 | 1,17 | 0,92 | 0,64 | 0,26 | 0,1 |

Time in seconds to evacuate to vacuum level (sec/l)

| Model \ -inHg | 2.95 | 5.9 | 8.85 | 11.81 | 14.76 | 17.71 | 20.67 | 23.62 | 26.57 |
|---------------|-------|-------|-------|-------|-------|-------|-------|-------|-------|
| | VTX5 | 0,258 | 0,796 | 1,156 | 2,4 | 3,56 | 4,91 | 6,896 | 10,16 |
| VTX10 | 0,129 | 0,398 | 0,758 | 1,2 | 1,78 | 2,455 | 3,445 | 5,08 | 9,594 |
| VTX20 | 0,064 | 0,199 | 0,379 | 0,6 | 0,89 | 1,227 | 1,722 | 2,54 | 4,797 |
| VTX30 | 0,048 | 0,149 | 0,284 | 0,44 | 0,673 | 0,917 | 1,287 | 1,906 | 3,595 |

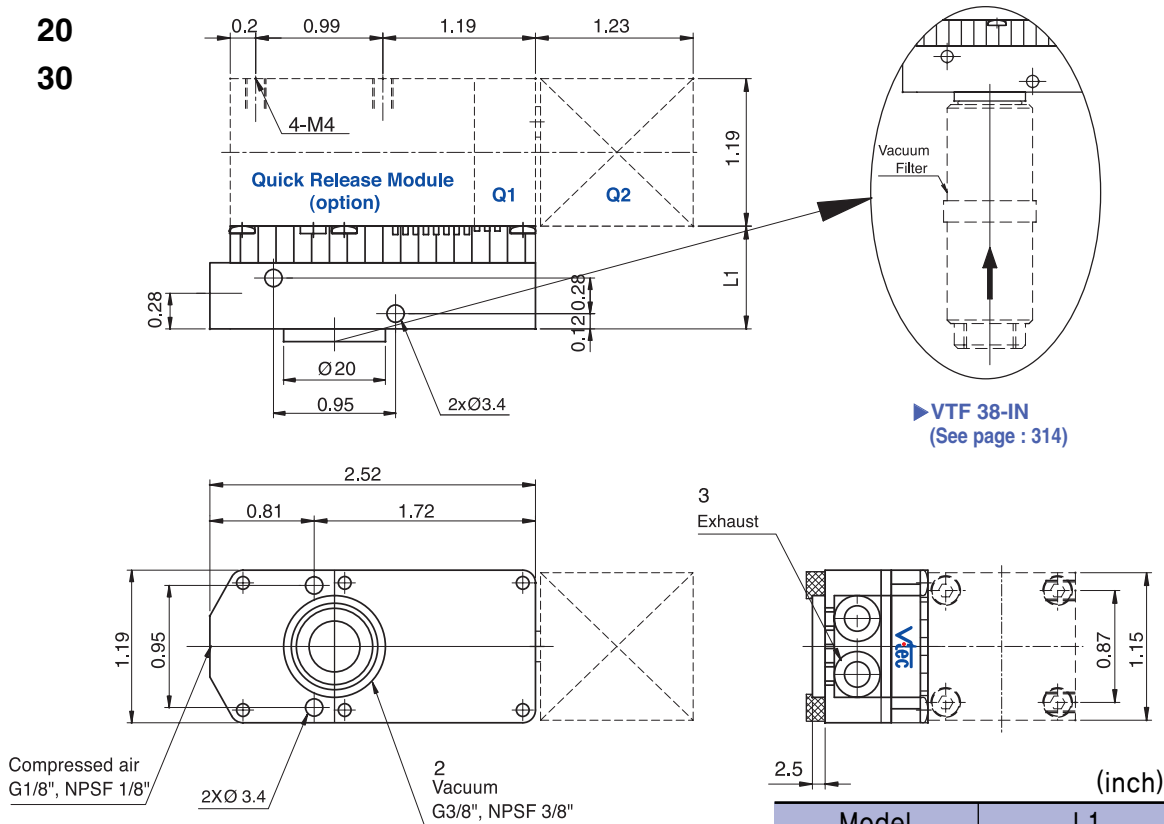
Dimensional Information

**5
VTM(X) (10)-A(NA)**



**5
VTM(X) (10)-B (BA, NB)**

20
30



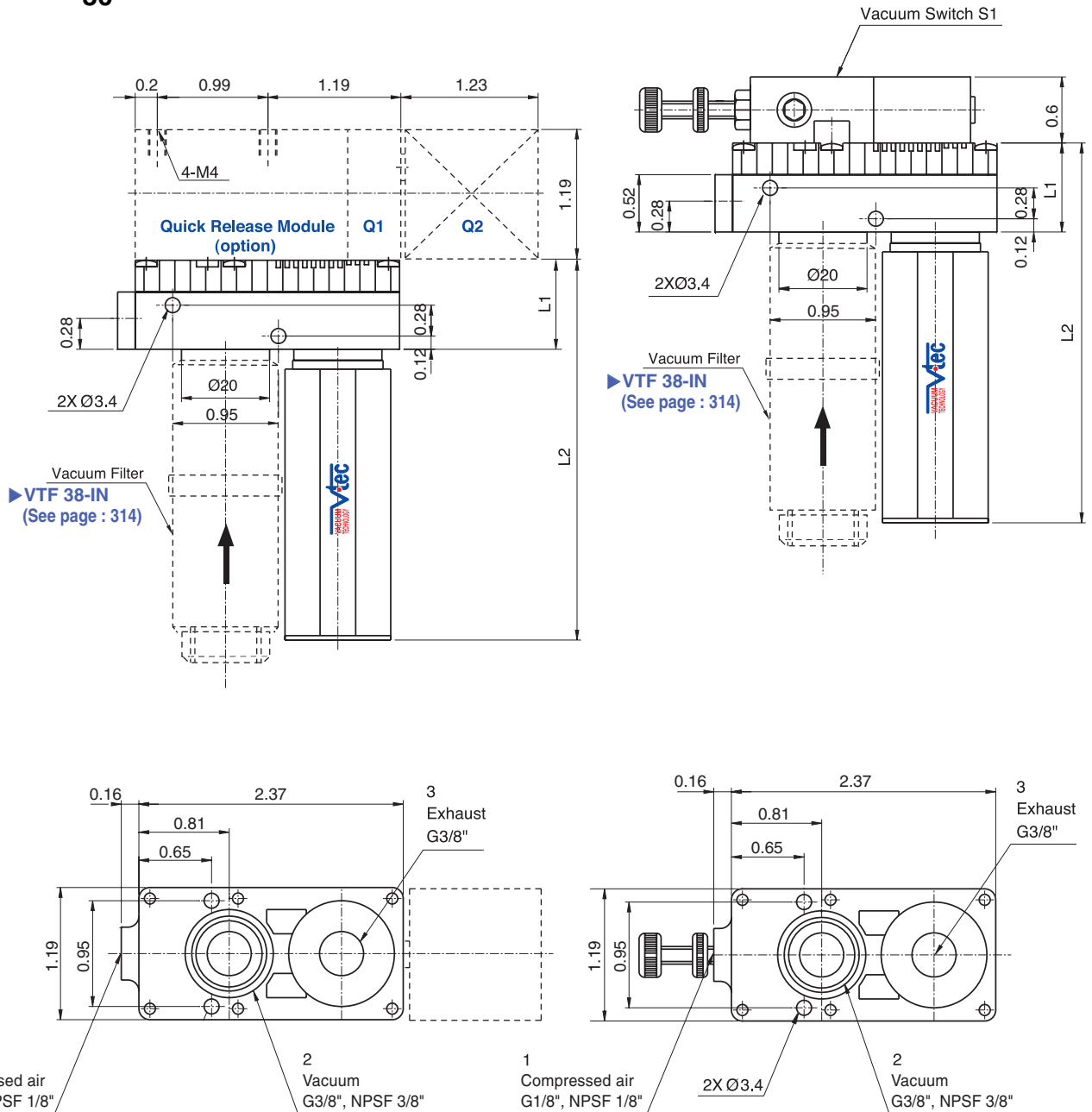
[Measure unit : inch]

| Model | L1 |
|----------|------|
| VTM(X)5 | 0,8 |
| VTM(X)10 | 0,8 |
| VTM(X)20 | 1,08 |
| VTM(X)30 | 1,37 |

Dimensional Information

5
VTM(X) (10)-C (NC)
20
30

with switch S1



VACUUM PUMPS

[Measure unit : inch]

| | (inch) | |
|----------|--------|------|
| Model | L1 | L2 |
| VTM(X)5 | 0.8 | 3.4 |
| VTM(X)10 | 0.8 | 3.4 |
| VTM(X)20 | 1.08 | 3.68 |
| VTM(X)30 | 1.37 | 3.97 |