

## Order No.

**V16 - 1 - 03**

①      ②

### ① Pressure range

- 1 – Negative pressure (-29,8~0 inHg)

### ② Output type

- 02 – PNP Open Collector
- 03 – NPN Open Collector

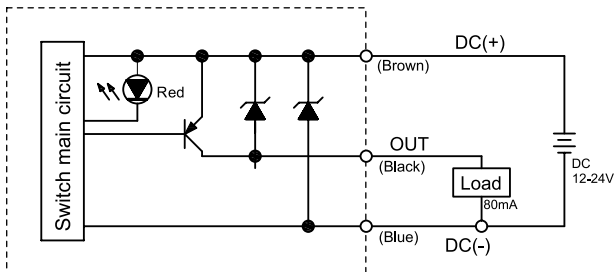


## Operating specifications

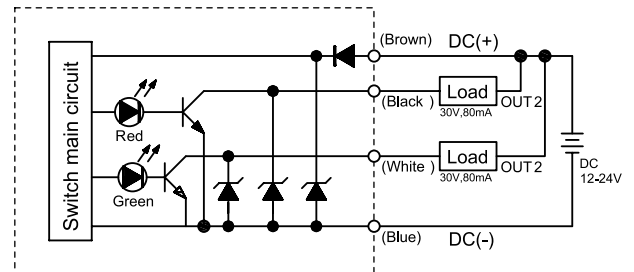
Specifications	Model	V16 - 1 - 02	V16 - 1 - 03
Applicable fluid		Air, Non corrosive gases, Incombustible gases	
Pressure range		-29,8 ~ 0 inHg	
Withstand pressure		147,65 inHg	
Pressure port		1/8" PT, M5 Female	
Power supply voltage		12~24 VDC ±10%, Ripple (P-P) 10% or less	
Power consumption		Max,21mA	Max,25mA
Output		PNP : open collector 1 output Max. load currunt : 80mA	NPN : open collector 2 output Max. load currunt : 80mA Max. supply volatage : 30VDC
Environment	Repeatability (switch output)	≤±1% F,S	
	Response time	≤5ms	
	Protection structure	IP40	
	Operating ambient temp. (°F)	Operation : 32°F~122°F, Storage : -4 °F~140°F (No condensation or freezing)	
	Operating humidity	Operation / Storage : 35~85% RH (No condensation)	
	Vibration resistance	Total amplitude 1,5mm, 10Hz~55Hz~10Hz scan for 1minute, two hours each direction of X, y and Z	
Shock resistance	980 m/s <sup>2</sup> (100G), 3 times each in direction of X, Y and Z		
Temperature characteristic		≤±3% F.S. at temp. (77°F)	
Hysteresis mode		1~10% of setting pressure (Adjustable)	3% F.S. or less (Fixed)
Indicator		Light at ON(Red)	Light at ON (output 1 : Red, Output2 2 : Green)
Cable		Oil-resistance 3-core 1m lead wire	Oil-resistance 4-core 1m lead wire
Weight		1,76oz. (Including 1m lead wire)	

## Circuit diagram

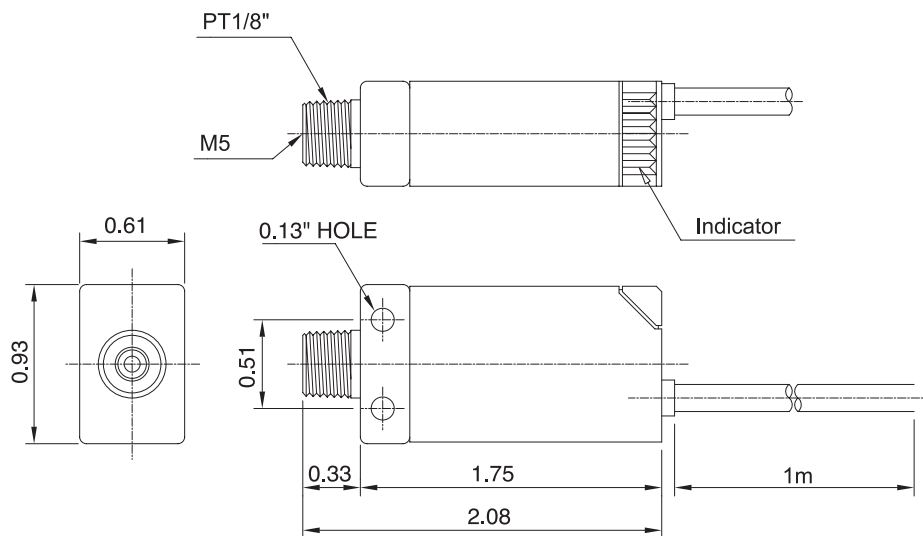
**V16-1-02**  
PNP output



**V16-1-03**  
NPN output



## Dimension



[ Measure Unit : inch ]

