

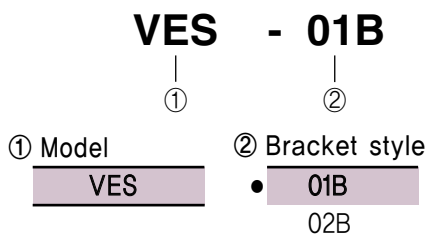
Electro-Mechanical Vacuum Switches

Features

These switches use a vacuum actuated membrane to operate a mechanical micro switch. All switches can be wired normally closed or normally open. The vacuum level to which the switch operates can be set with the manually adjustable and lockable screw. The VES-02B comes with two fixing holes molded into the housing, whereas the VES-01B comes with fixings in two extended ears.

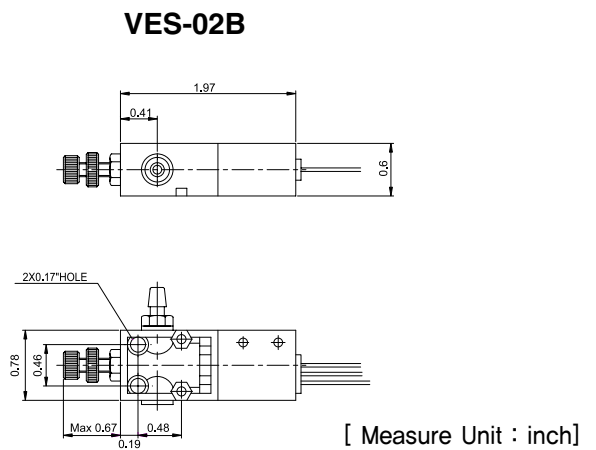
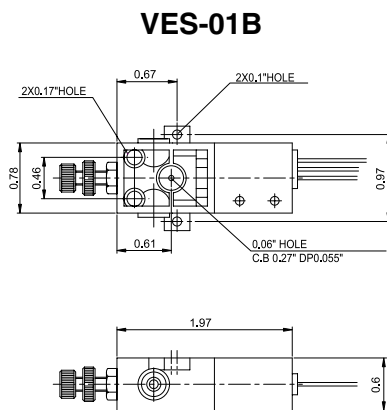


Order no.



Function	Adjustable
NO / NC	<p>Black — NO : Normally Open (White)</p> <p>Red — NC : Normally Closed (Red)</p>

Dimensional Information



Operating specifications

Type	VES-01B, VES-02B
Fluid used	Air (non corrosive, inflammable gaseous body)
Output function	NO / NC
Pressure range	2.95~26.5 inHg (10~90kPa)
Hysteresis, kPa	±5
Range of operating temperature (°F)	14 °F~ 176°F
Cable	3 X 0.75mm ² X 0.5m
Weight (oz.)	1.06
Operating humidity	85% RH or less
Line voltage	MAX. 250V/AC(30V/DC)
Output current Max.	7A
Vacuum connection	Ø6 (Hose out diameter) or M5