

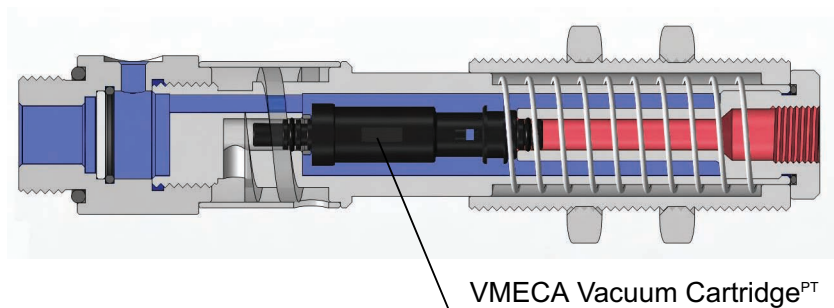
## Series VCS 202..

- Max. vacuum level** : -26.57 inHg (-90kPa)
- Max. flow rate** : 1.45 scfm (41.3 NI/min)
- Supply air pressure** : 58~87 psi, max 101.5psi  
(4~6bar, max 7bar)
- Air consumption** : 14.6 scfm (416 NI/min)
- Supply air type** : Dry compressed air
- Working temperature** : -4 °F ~ 176 °F
- Noise level** : 55~65 dBA



### Main advantages

- VMECA Cartridge<sup>PT</sup> with silencer built into level compensator.
- High operational reliability despite fluctuating or low compressed-air pressure.
- Low air consumption (Save energy)
- Compensate for differences in height on the surface of the material.
- VMECA Vacuum Cartridge mounted close to work (Fast response time).
- Very Compact size.
- Easily mountable and interchangeable vacuum cartridge.



### Order No.

**VCS 202 - 18M 20**

①                      ②

① Thread

- 18M – G1/8" Male
- 38M – G3/8" Male
- 12M – G1/2" Male
- N18M – NPSF" 1/8 Male
- N38M – NPSF" 3/8 Male
- N12M – NPSF" 1/2 Male

② Stroke

- 20 – 0.78 in

## Performance Data

Vacuum flow, scfm, at different vacuum level -inHg

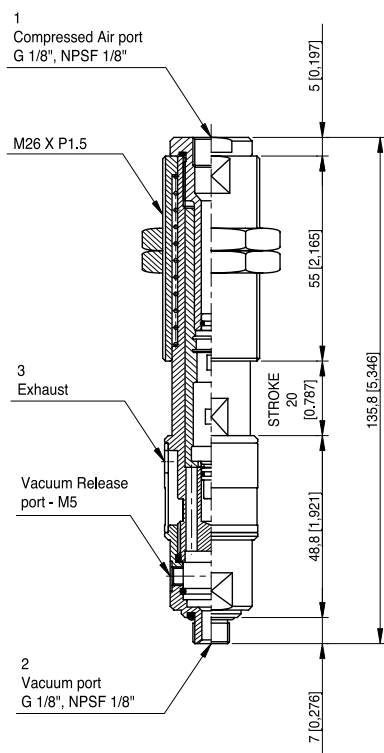
MAX. Vacuum (-inHg)	Feed pressure (psi)	0	2.95	5.9	8.85	11.8	14.76	17.7	20.67	23.62	26.57
14.76	24.65	1.23	0.89	0.45	0.29	0.14	-	-	-	-	-
19.19	31.9	1.37	1.04	0.6	0.4	0.28	0.18	0.049	-	-	-
26.57	45.54	1.45	1.3	0.918	0.558	0.388	0.314	0.23	0.137	0.07	-
25.1	58	1.42	1.5	1.904	0.812	0.497	0.268	0.226	0.137	0.046	-

Time, s/l, to evacuate a volume to different vacuum level -inHg

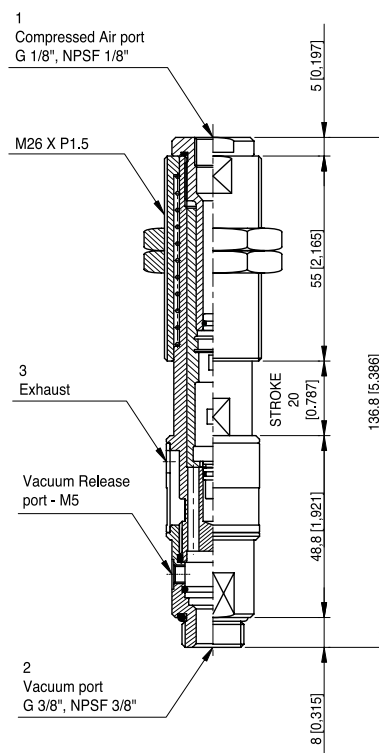
Feed pressure (psi)	Air consumption (scfm)	2.95	5.9	8.85	11.8	14.76	17.7	20.67	23.62	26.57
24.65	0.6	0.26	0.59	1.29	2.56	-	-	-	-	-
31.9	0.7	0.8	0.48	0.95	1.55	2	2.5	-	-	-
45.54	0.92	0.15	0.37	0.61	1.5	1.5	2	3.8	6.2	-
58	1.13	0.14	0.39	0.59	0.9	1.2	1.8	3.2	6.9	-

## Dimensional information

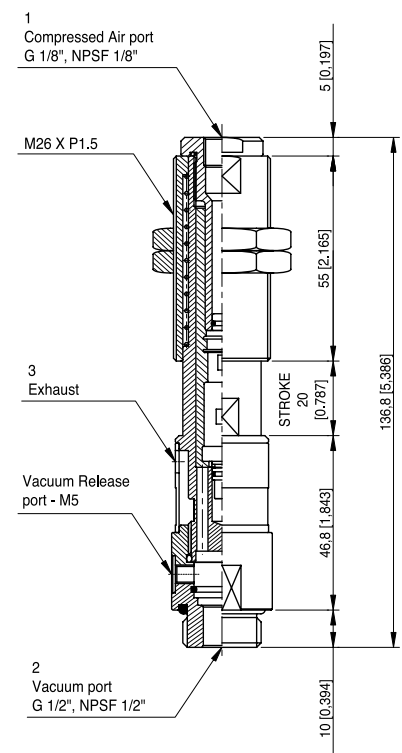
▼ VCS202-18M20  
VCS202-N18M20



▼ VCS202-38M20  
VCS202-N38M20



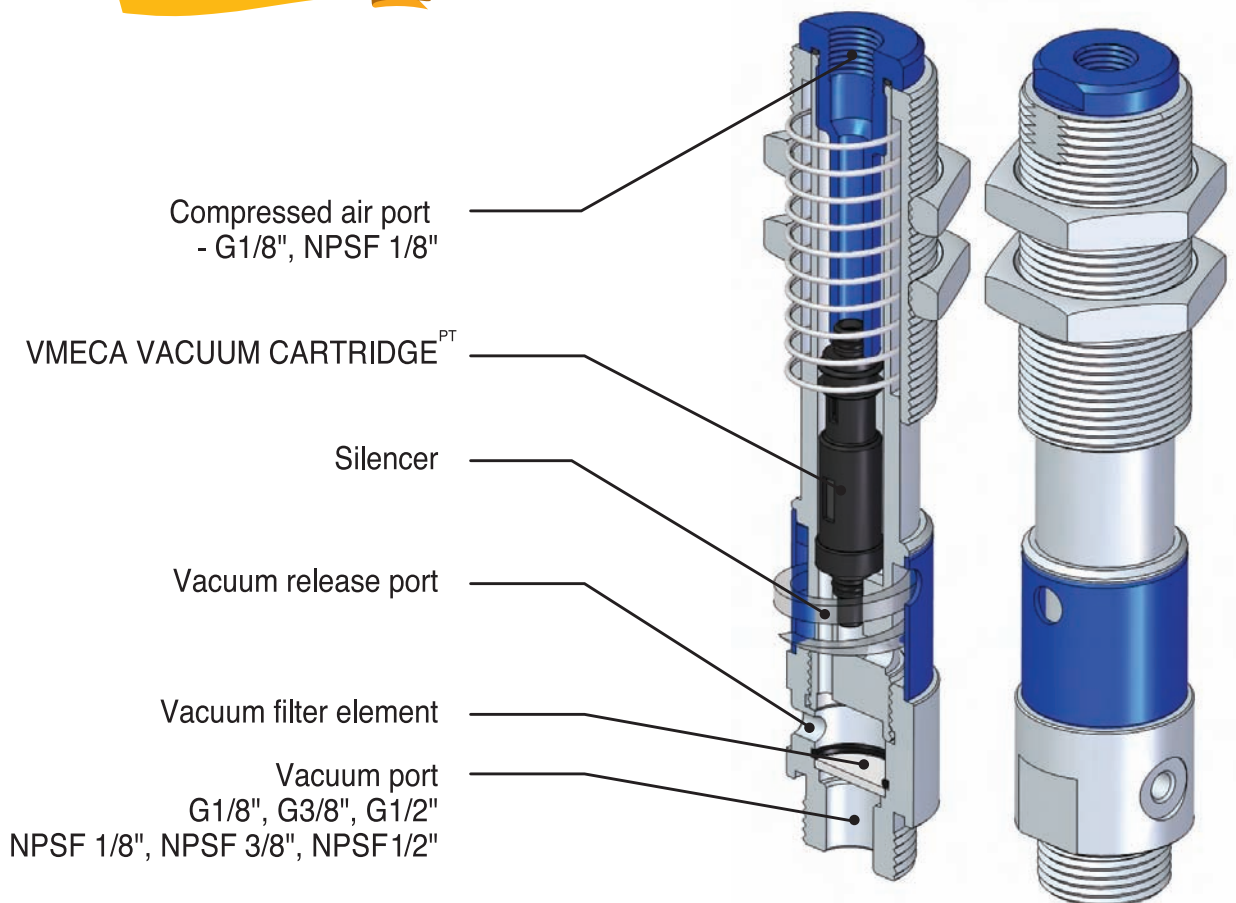
▼ VCS202-12M20  
VCS202-N12M20



Measure unit : mm [inch]

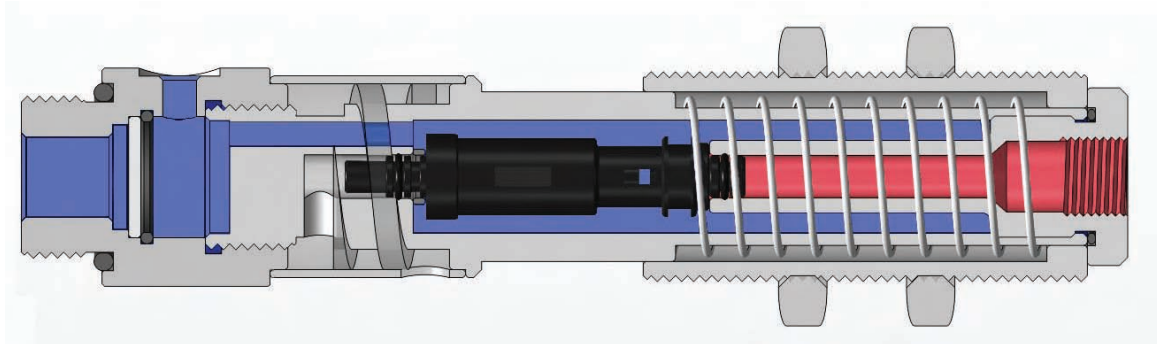
## Constructions

**PATENT &  
PATENT PENDING**



## Features

- VMECA Vacuum speeder operates at 3~6bar(43.5~87 psi) air pressure and maintains vacuum (-26.5 inHg) in low pressure of fluctuating pressure situations.
- Extremely fast response (increased speed).
- VMECA Vacuum cartridge<sup>PT</sup> with silencer built into the body of a level compensator.
- Small size and easy to mount.
- Low energy consumption and noise level.
- No maintenance expected or required.

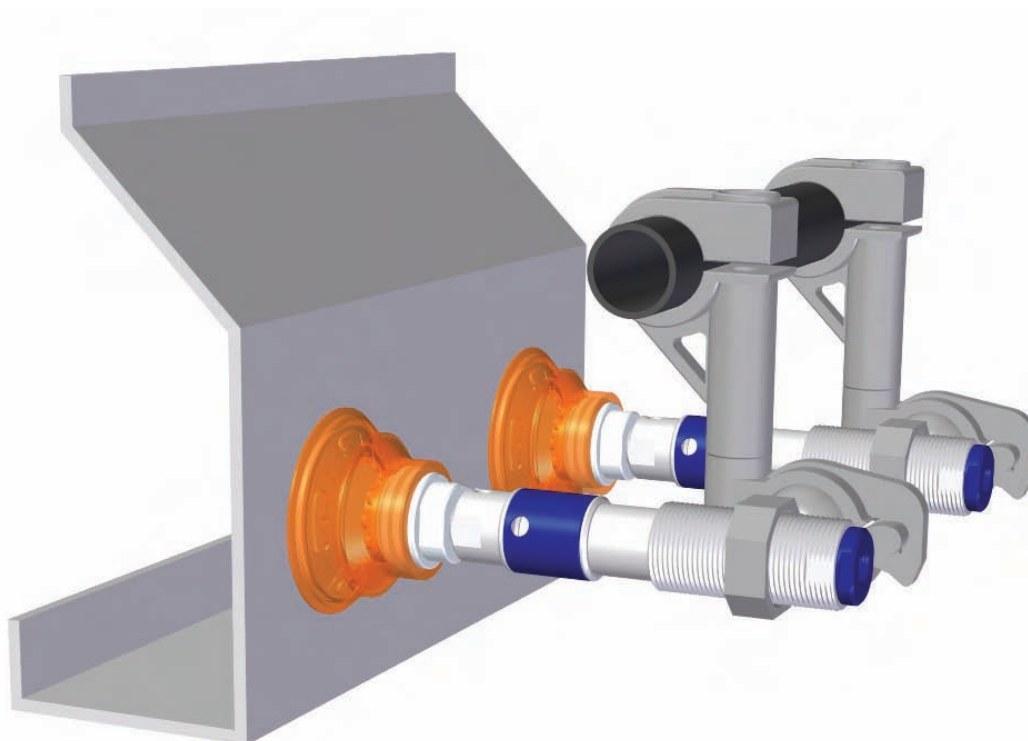


 Vacuum Zone

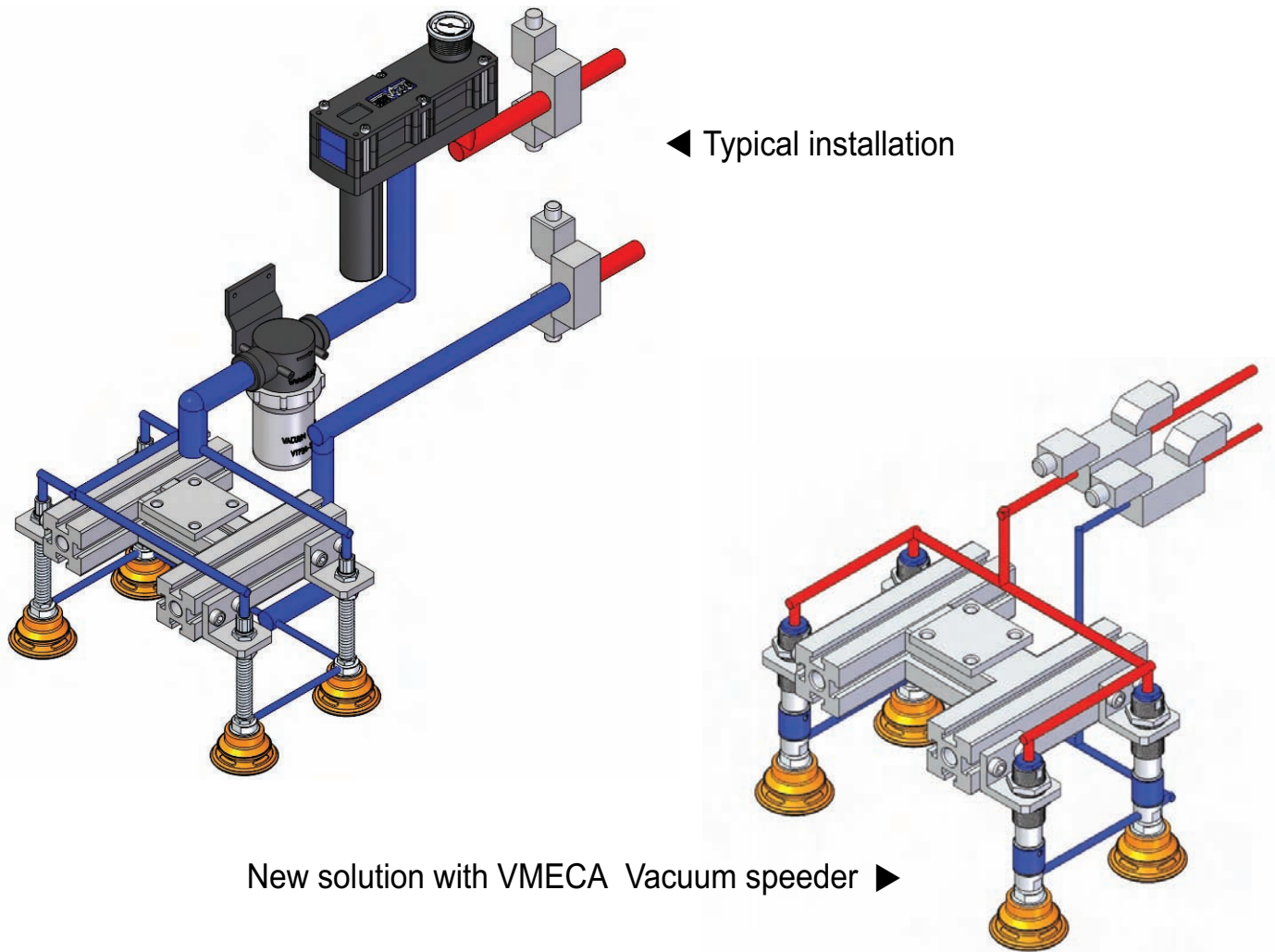
 Compressed-air feed zone

The vacuum cartridge is built into the body of the level compensator. System plumbing is virtually eliminated and vacuum is created directly at the point of use. Quicker response and faster cycle times with minimum compressed air usage are the result. Additionally, the VMECA Vacuum Speeder offers all the height compensating and shock absorbing qualities of a conventional level spring.

VACUUM  
SPEEDER



The VMECA Vacuum speeder offers the convenience of an extremely compact, point-of-use vacuum pump.



## Features

- VMECA Vacuum Cartridge<sup>PT</sup> with silencer built into the body of a level compensator.
- Point-of-use design eliminates system plumbing.
- Individual and independent vacuum improves safety and reliability of operation
- Low energy consumption.
- Fast response and cycle times - as much as 60% faster than typical, conventional ejectors.