

## VTC 3031/3021 Series

- Max. vacuum level : -27.46 inHg (-93kPa)
- Max. flow rate : 12.04 scfm (341 NI/min)
- Supply air pressure : 43.5~87 psi, max 101.5psi  
(3~6bar, max 7bar)
- Air consumption : 3.43~5.37 scfm (97~152 NI/min)
- Supply air type : Dry compressed air
- Working temperature : -4 °F ~ 176 °F
- Noise level : 50~60 dBA



### Main advantages

- Patented design.
- High operational reliability despite fluctuating or low compressed-air pressure.
- Integrated high dirt holding capacity pleated filter.
- VMECA Twofold Silencer<sup>PT</sup> assures low noise levels.
- Optional Air-Saving(AS) kit available to minimize energy consumption.
- Optional factory installed Air control/Vacuum release valves and Vacuum switch available.
- Compact size and light weight.
- Easily mountable and interchangeable vacuum cartridge.

### Order No.

## VTC 3031 - 4 - AS - A3 R3 - CL - S2 N V

①                      ②                      ③                      ④                      ⑤                      ⑥                      ⑦                      ⑧                      ⑨

#### ① Model

VTC 3021 - Two stage nozzle

- VTC 3031(P) - Three stage nozzle

※ Remark...(P)

↳ G3/8"Exhaust Port

#### ② Filter element & Connection port

	Material	Connection port
2	Polyester (PE)	BSP Thread(G)
• 4	Polyester (PE)	Dry seal thread(NPSF)

#### ③ Air saving kit

No mark - Standard

- AS - Air saving kit

#### ④ Voltage of air supply control valve

A1 - AC110V

A2 - AC220V

- A3 - DC24V

D1\* - AC110V

D2\* - AC220V

D3\* - DC24V

\* D. : Double solenoid valve is available only with 'DN' or 'DL', section ⑥

#### ⑤ Voltage of vacuum release control valve

R1 - AC110V

R2 - AC220V

- R3 - DC24V

#### ⑥ Solenoid Terminal

DN - DIN type without lead wire

DL - DIN type with lamp without lead wire

- CL\* - Connector type with lamp & 0.3 m lead wire

2B\* - DIN type with '2 in 1' BUS cable  
(Air control v/v + Vacuum release v/v)

3B\* - DIN type with '3 in 1' BUS cable  
(Air control v/v + Vacuum release v/v + Digital switch)

\* Can not available with double solenoid valve

※ Remark

CL : Available only with DC24V

3B : Available only with DC24V

Available only with 'S2' or 'S2P', section ⑦

☞ About 'BUS cable'  
(See page : 336, 337)

#### ⑦ Vacuum switch

No mark - Vacuum gauge.

- S2(P) - Digital display output 2points, No analog supply  
M8-4Pin Connector type 0.3m lead wire.

SG2(P) - Digital display output 2 points, No analog supply  
Grommet type 4-Core 2m lead wire.

SG3(P) - Digital display output 2 points, Analog supply  
Grommet type 5-Core 2m lead wire.

※ Remark: ① S..(P)

↳ Output type :PNP open collector

② VCM8 42 : M8-4Pin connector wire.  
Only for type S2 or S2(P).

#### ⑧ Non-return valve

No mark - Standard

- N - Non-return valve.

#### ⑨ Sealing

No mark - Standard

- V - Viton®

E - EPDM

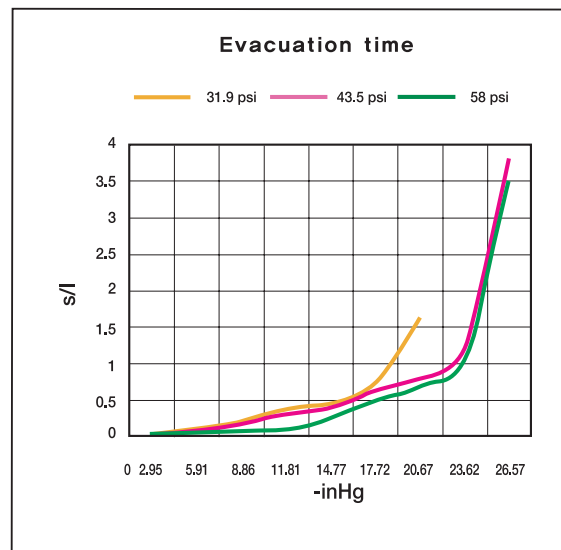
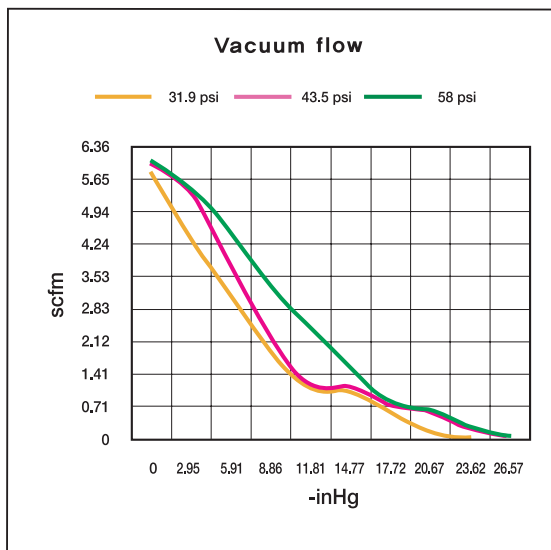
## Performance Data

Model	MAX. Vacuum (-inHg)	Feed pressure (psi)	Vacuum flow (scfm) at different vacuum levels (-inHg)									
			0	2.95	5.9	8.85	11.8	14.76	17.7	20.67	23.62	26.57
VTC3021..	22.15	31.9	5.79	4.33	3.11	1.87	1.11	1.01	0.58	0.16	-	-
	27.46	43.5	6	5.37	3.74	2.26	1.17	1.13	0.78	0.58	0.23	0.067
	27.46	58	6.04	5.44	4.5	3.32	2.44	1.52	0.82	0.61	0.24	0.074
VTC3031..	22.15	31.9	10.67	4.33	3.11	1.87	1.11	1.01	0.58	0.16	-	-
	27.46	43.5	11.94	5.37	3.74	2.26	1.17	1.13	0.78	0.58	0.23	0.067
	27.46	58	12.04	5.44	4.5	3.32	2.44	1.52	0.82	0.61	0.24	0.074

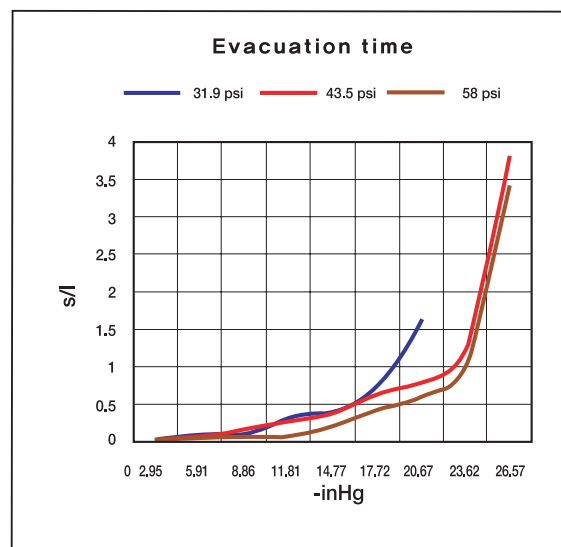
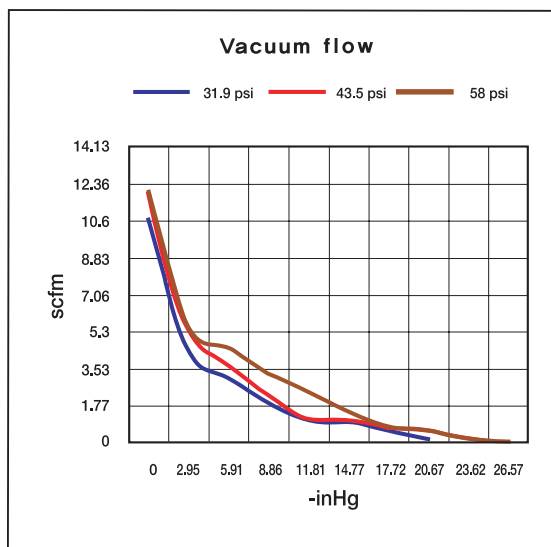
  

Model	Feed pressure (psi)	Air consumption (scfm)	Time, s/l, to evacuate a volume to different vacuum levels (-inHg)									
			2.95	5.9	8.85	11.8	14.76	17.7	20.67	23.62	26.57	
VTC3021..	31.9	3.43	0.03	0.12	0.21	0.38	0.47	0.73	1.62	-	-	
	43.5	4.17	0.027	0.1	0.19	0.3	0.4	0.64	0.8	1.2	3.8	
	58	5.37	0.026	0.058	0.09	0.1	0.25	0.5	0.69	1.05	3.5	
VTC3031..	31.9	3.43	0.019	0.09	0.1	0.32	0.42	0.73	1.62	-	-	
	43.5	4.17	0.015	0.07	0.18	0.28	0.38	0.64	0.8	1.2	3.8	
	58	5.37	0.01	0.048	0.07	0.09	0.2	0.42	0.6	1	3.4	

▼ VTC-3021..



▼ VTC-3031..

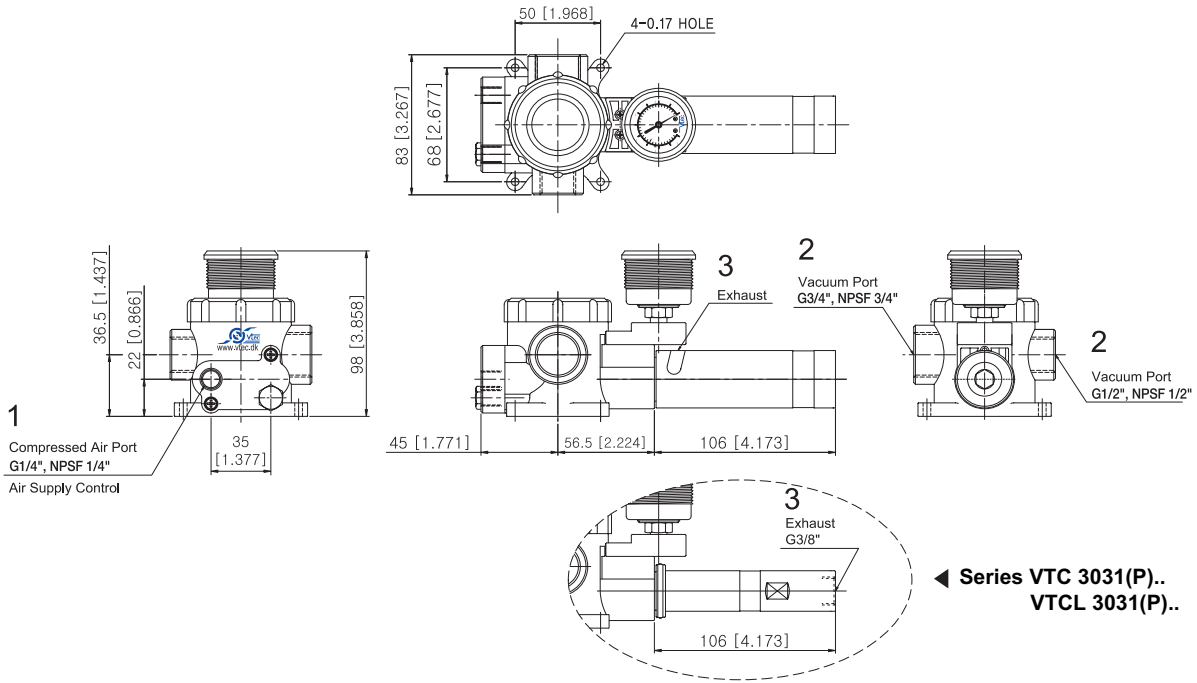


VACUUM PUMPS

**Dimensional Information**

Standard

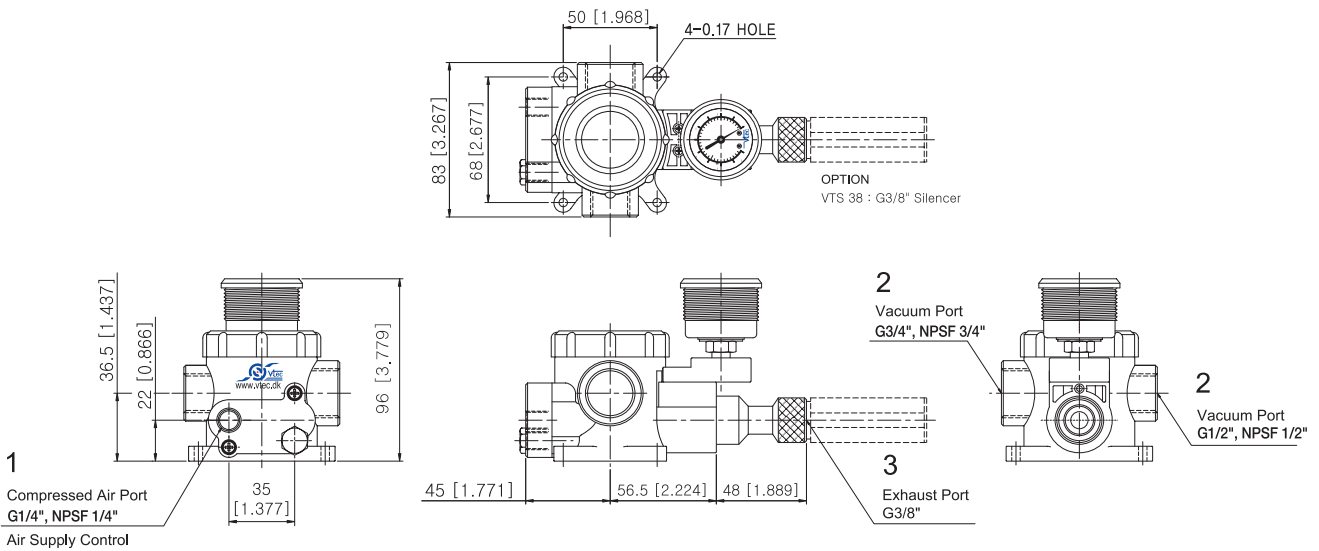
**Series VTC 3031.. / VTCL 3031..**



Measure unit : mm [in]

Standard

**Series VTC 3021.. / VTCL 3021..**

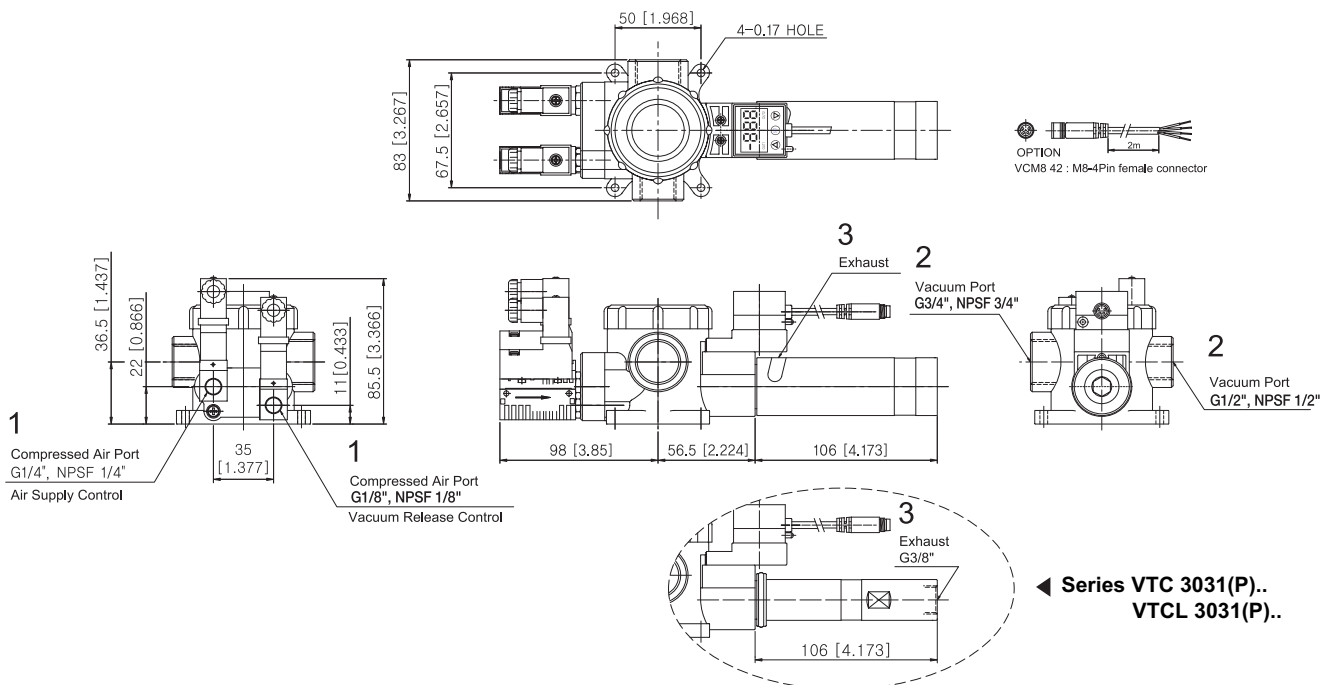


Measure unit : mm [in]

## Dimensional Information

With Air Control valve, Vacuum Release Control valve and Digital Vacuum Switch

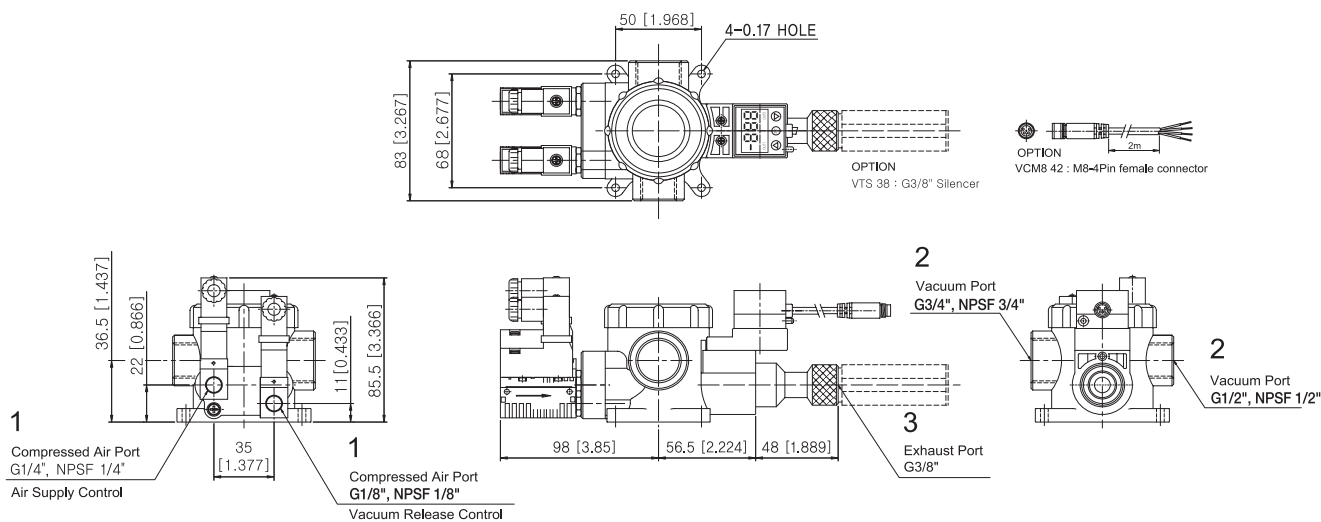
### Series VTC 3031.. / VTCL 3031..



Measure unit : mm [in]

With Air Control valve, Vacuum Release Control valve and Digital Vacuum Switch

### Series VTC 3021.. / VTCL 3021..



Measure unit : mm [in]

VACUUM PUMPS