

VTC 3032 / 3022 Series

- Max. vacuum level : -27.46 inHg (-93kPa)
- Max. flow rate : 24.3 scfm (688 NI/min)
- Supply air pressure : 43.5~87 psi, 101.5 psi (3~6bar, max 7bar)
- Air consumption : 6.85~10.74 scfm (194~304 NI/min)
- Supply air type : Dry compressed air
- Working temperature : -4 °F ~ 176 °F
- Noise level : 50~60 dBA



Main advantages

- Patented design.
- High operational reliability despite fluctuating or low compressed-air pressure.
- Integrated high dirt holding capacity pleated filter.
- VMECA Twofold Silencer^{PT} assures low noise levels.
- Optional Air-Saving(AS) kit available to minimize energy consumption.
- Optional factory installed Air control/Vacuum release valves and Vacuum switch available.
- Compact size and light weight.
- Easily mountable and interchangeable vacuum cartridge.

Order No.

VTC 3032 - 4 - AS - A3 R3 - CL - S2 N V

① ② ③ ④ ⑤ ⑥ ⑦ ⑧ ⑨

① Model

VTC 3022 - Two stage nozzle

- **VTC 3032(P)** - Three stage nozzle

※ Remark...(P)

↳ G3/8"Exhaust Port

② Filter element & Connection port

	Material	Connection port
2	Polyester (PE)	BSP Thread(G)
• 4	Polyester (PE)	Dry seal thread(NPSF)

③ Air saving kit

No mark - Standard

- **AS** - Air saving kit

④ Voltage of air supply control valve

A1 - AC110V

A2 - AC220V

- **A3** - DC24V

D1* - AC110V

D2* - AC220V

D3* - DC24V

* D.. : Double solenoid valve is available only with 'DN' or 'DL', section ⑥

⑤ Voltage of vacuum release control valve

R1 - AC110V

R2 - AC220V

- **R3** - DC24V

⑥ Solenoid Terminal

DN - DIN type without lead wire

DL - DIN type with lamp without lead wire

- **CL*** - Connector type with lamp & 0.3 m lead wire

2B* - DIN type with '2 in 1' BUS cable (Air control v/v + Vacuum release v/v)

3B* - DIN type with '3 in 1' BUS cable (Air control v/v + Vacuum release v/v + Digital switch)

* Can not available with double solenoid valve

※ Remark

CL : Available only with DC24V

3B : Available only with DC24V

Available only with 'S2' or 'S2P', section ⑦

☞ About 'BUS cable' (See page : 336, 337)

⑦ Vacuum switch

No mark - Vacuum gauge.

- **S2(P)** - Digital display output 2points, No analog supply M8-4Pin Connector type 0.3m lead wire.

SG2(P) - Digital display output 2 points, No analog supply Grommet type 4-Core 2m lead wire.

SG3(P) - Digital display output 2 points, Analog supply Grommet type 5-Core 2m lead wire.

※ Remark: ① S...(P)

↳ Output type :PNP open collector

② VCM8 42 : M8-4Pin connector wire. Only for type S2 or S2(P).

⑧ Non-return valve

No mark - Standard

- **N** - Non-return valve.

⑨ Sealing

No mark - Standard

- **V** - Viton[®]

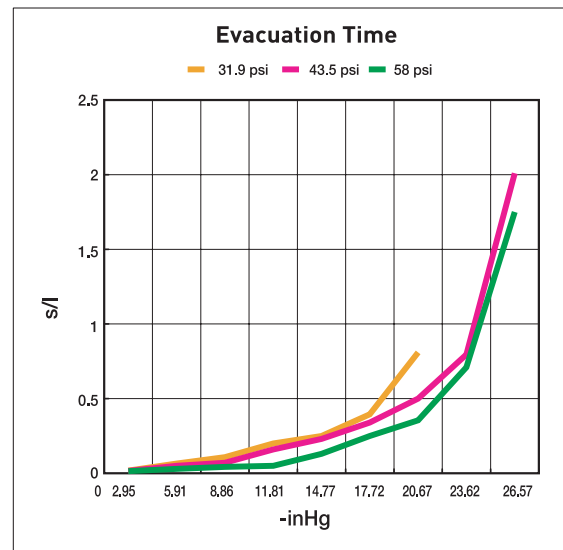
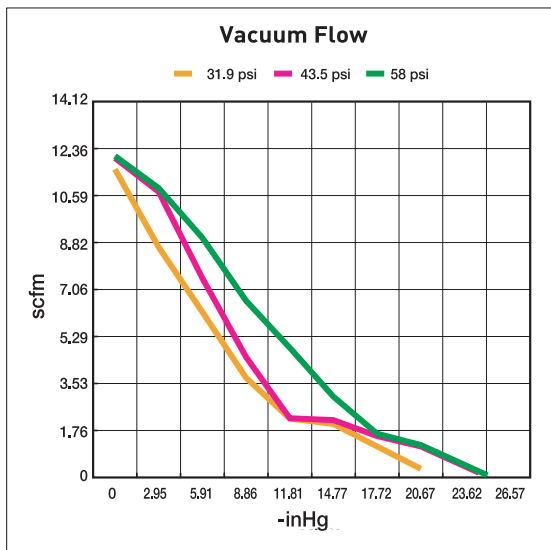
E - EPDM

Performance Data

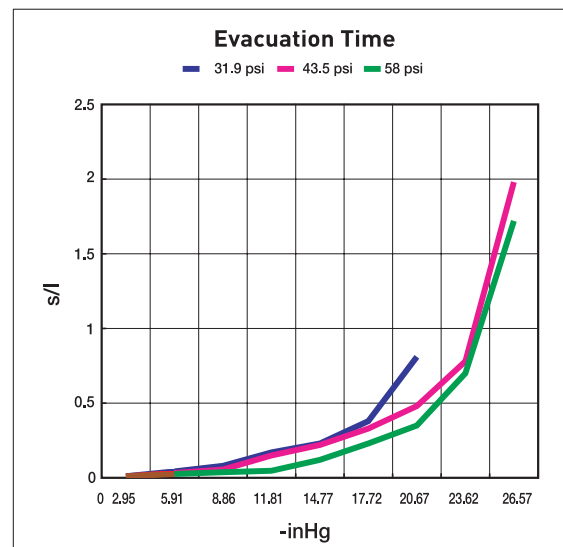
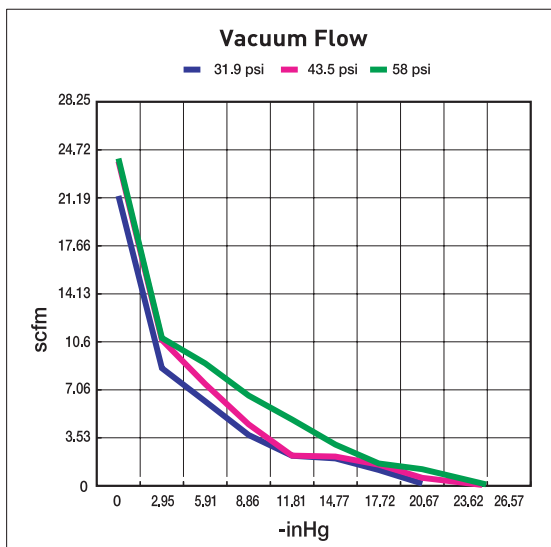
Model	MAX. Vacuum (-inHg)	Feed pressure (psi)	Vacuum flow (scfm) at different vacuum levels (-inHg)									
			0	2.95	5.9	8.85	11.8	14.76	17.7	20.67	23.62	26.57
VTC3022..	22.15	31.9	11.58	8.65	6.21	3.74	2.22	2	1.16	0.32	-	-
	27.46	43.5	12	10.73	7.48	4.52	2.33	2.26	1.55	1.16	0.45	0.13
	27.46	58	12.08	10.87	9	6.64	4.87	3.03	1.64	1.22	0.48	0.15
VTC3032..	22.15	31.9	21.33	8.65	6.21	3.74	2.22	2	1.16	0.32	-	-
	27.46	43.5	23.87	10.73	7.48	4.52	2.33	2.26	1.55	1.16	0.45	0.13
	27.46	58	24.08	10.87	9	6.64	4.87	3.03	1.64	1.22	0.48	0.15

Model	Feed pressure (psi)	Air consumption (scfm)	Time, s/l, to evacuate a volume to different vacuum levels (-inHg)									
			2.95	5.9	8.85	11.8	14.76	17.7	20.67	23.62	26.57	
VTC3022..	31.9	6.85	0.018	0.065	0.108	0.2	0.25	0.395	0.81	-	-	
	43.5	8.33	0.016	0.05	0.07	0.16	0.23	0.34	0.5	0.795	2.01	
	58	10.73	0.014	0.029	0.043	0.05	0.13	0.25	0.355	0.71	1.75	
VTC3032..	31.9	6.85	0.011	0.043	0.05	0.17	0.23	0.38	0.811	-	-	
	43.5	8.33	0.01	0.032	0.055	0.15	0.22	0.33	0.48	0.78	1.98	
	58	10.73	0.01	0.026	0.037	0.047	0.12	0.23	0.35	0.7	1.72	

▼ VTC-3022..



▼ VTC-3032..

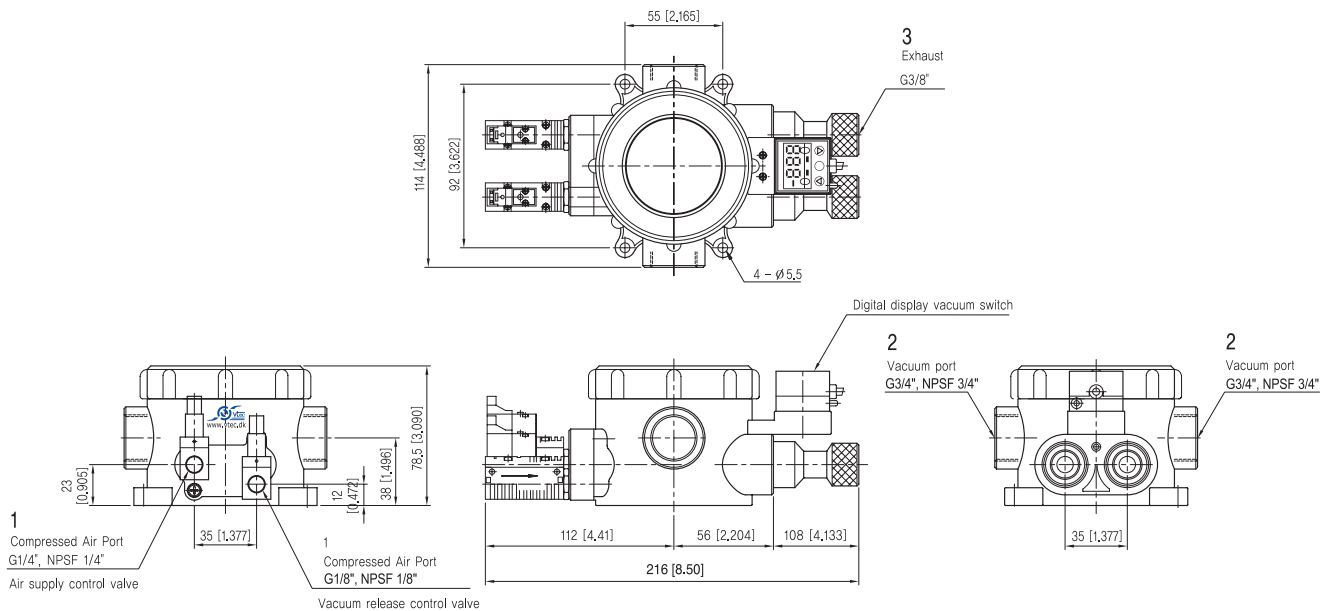


VACUUM PUMPS

Dimensional Information

With Air Control valve, Vacuum Release Control valve and Digital Vacuum Switch

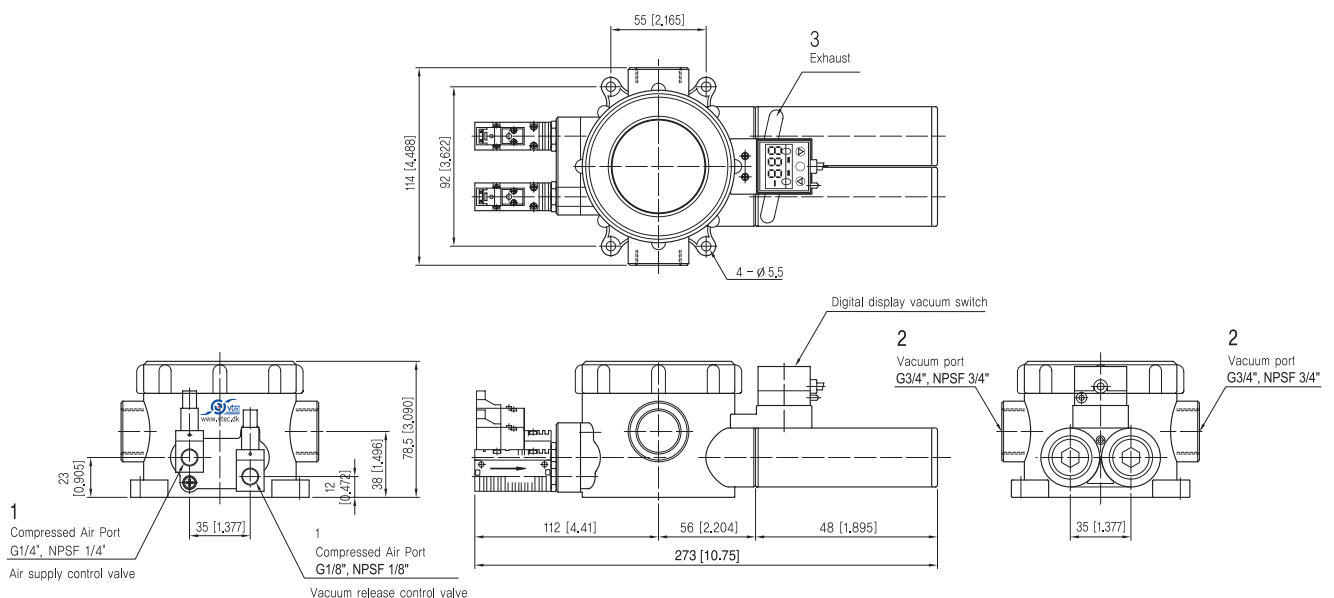
VTC 3022.. / VTCL 3022..



Measure unit : mm [in]

With Air Control valve, Vacuum Release Control valve and Digital Vacuum Switch

VTC 3032.. / VTCL 3032..



Measure unit : mm [in]

VACUUM PUMPS