

VTCL 3032 / 3022 Series

- Max. vacuum level : -22.15 inHg (-75kPa)
- Max. flow rate : 25.57 scfm (724 NI/min)
- Supply air pressure : 58~87 psi, max 101.5 psi
(4~6bar , max 7bar)
- Air consumption : 4.94~7.35 scfm (140~208 NI/min)
- Supply air type : Dry compressed air
- Working temperature : -4 °F ~ 176 °F
- Noise level : 50~60 dBA



Main advantages

- Patented design.
- High operational reliability despite fluctuating or low compressed-air pressure.
- Integrated high dirt holding capacity pleated filter.
- VMECA Twofold Silencer^{PT} assures low noise levels.
- Optional Air-Saving(AS) kit available to minimize energy consumption.
- Optional factory installed Air control/Vacuum release valves and Vacuum switch available.
- Compact size and light weight.
- Easily mountable and interchangeable vacuum cartridge.

Order No.

VTCL 3032 - 4 - AS - A3 R3 - CL - S2 N V

① ② ③ ④ ⑤ ⑥ ⑦ ⑧ ⑨

① Model

VTCL 3022 - Two stage nozzle

- **VTCL 3032(P)** - Three stage nozzle

※ Remark...(P)

↳ G3/8"Exhaust Port

② Filter element & Connection port

	Material	Connection port
2	Polyester (PE)	BSP Thread(G)
• 4	Polyester (PE)	Dry seal thread(NPSF)

③ Air saving kit

No mark - Standard

- **AS** - Air saving kit

④ Voltage of air supply control valve

A1 - AC110V

A2 - AC220V

- **A3** - DC24V

D1* - AC110V

D2* - AC220V

D3* - DC24V

* D.. : Double solenoid valve is available only with 'DN' or 'DL', section ⑥

⑤ Voltage of vacuum release control valve

R1 - AC110V

R2 - AC220V

- **R3** - DC24V

⑥ Solenoid Terminal

DN - DIN type without lead wire

DL - DIN type with lamp without lead wire

- **CL*** - Connector type with lamp & 0.3 m lead wire

2B* - DIN type with '2 in 1' BUS cable
(Air control v/v + Vacuum release v/v)

3B* - DIN type with '3 in 1' BUS cable
(Air control v/v + Vacuum release v/v + Digital switch)

* Can not available with double solenoid valve

※ Remark

CL : Available only with DC24V

3B : Available only with DC24V

Available only with 'S2' or 'S2P', section ⑦

☞ About 'BUS cable'
(See page : 336, 337)

⑦ Vacuum switch

No mark - Vacuum gauge.

- **S2(P)** - Digital display output 2points, No analog supply M8-4Pin Connector type 0.3m lead wire.

SG2(P) - Digital display output 2 points, No analog supply Grommet type 4-Core 2m lead wire.

SG3(P) - Digital display output 2 points, Analog supply Grommet type 5-Core 2m lead wire.

※ Remark: ① S..(P)

↳ Output type :PNP open collector

② VCM8 42 : M8-4Pin connector wire.
Only for type S2 or S2(P).

⑧ Non-return valve

No mark - Standard

- **N** - Non-return valve.

⑨ Sealing

No mark - Standard

- **V** - Viton[®]

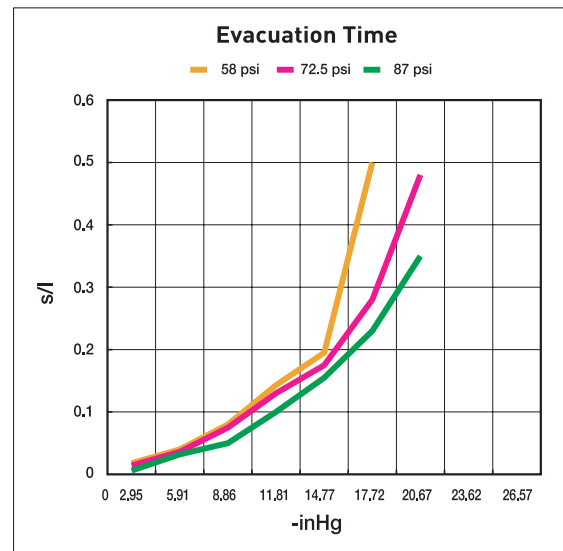
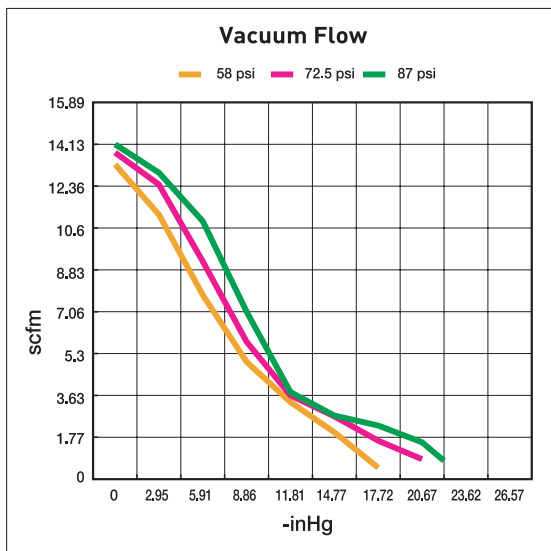
E - EPDM

Performance Data

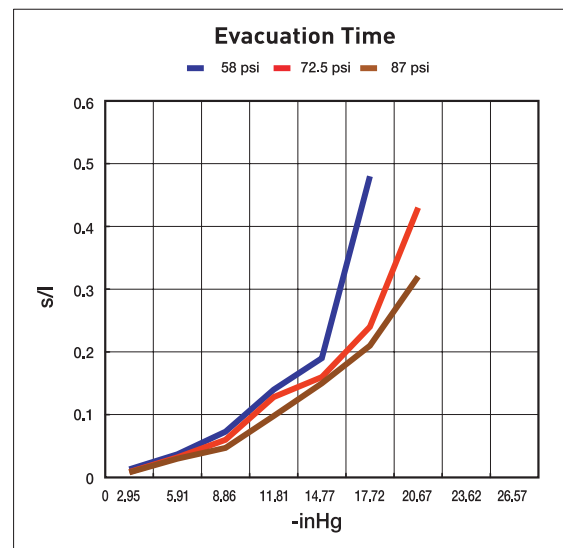
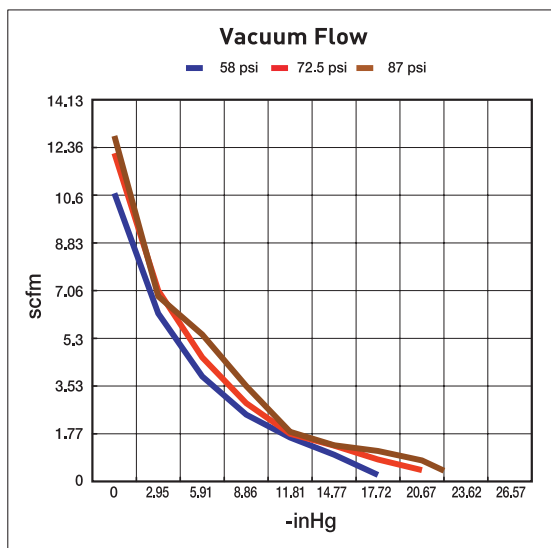
Model	MAX. Vacuum (-inHg)	Feed pressure (psi)	Vacuum flow (scfm) at different vacuum levels (-inHg)									
			0	2.95	5.9	8.85	11.8	14.76	17.7	20.67	23.62	26.57
VTCL3022..	17.72	58	13.28	11.16	7.77	4.94	3.25	1.98	0.48	-	-	-
	20.67	72.5	13.77	12.43	9.18	5.79	3.53	2.65	1.62	0.84	-	-
	22.15	87	14.13	12.93	10.88	7.06	3.67	2.68	2.26	1.55	-	-
VTCL3032..	17.72	58	21.33	12.43	7.77	4.94	3.25	1.98	0.48	-	-	-
	20.67	72.5	24.3	13.84	9.18	5.79	3.53	2.65	1.62	0.84	-	-
	22.15	87	25.57	14.66	10.88	7.06	3.67	2.68	2.26	1.55	-	-

Model	Feed pressure (psi)	Air consumption (scfm)	Time, s/l, to evacuate a volume to different vacuum levels (-inHg)									
			2.95	5.9	8.85	11.8	14.76	17.7	20.67	23.62	26.57	
VTCL3022	58	4.94	0.018	0.04	0.08	0.145	0.195	0.5	-	-	-	
	72.5	6.00	0.014	0.036	0.075	0.125	0.15	0.2	0.4	-	-	
	87	7.35	0.013	0.032	0.06	0.1	0.18	0.18	0.35	-	-	
VTCL3032	58	4.94	0.013	0.037	0.073	0.14	0.19	0.45	-	-	-	
	72.5	6.00	0.009	0.032	0.06	0.128	0.16	0.25	0.43	-	-	
	87	7.35	0.008	0.03	0.047	0.098	0.15	0.2	0.32	-	-	

▼ VTCL-3022..



▼ VTCL-3032..

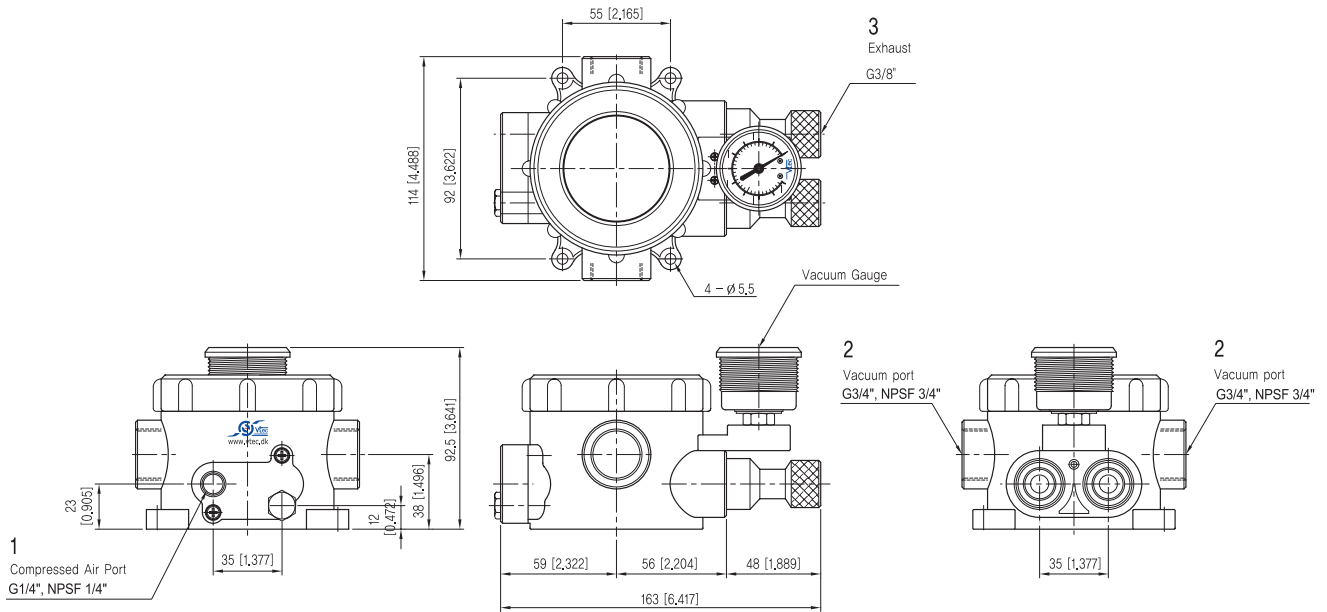


VACUUM PUMPS

Dimensional Information

Standard

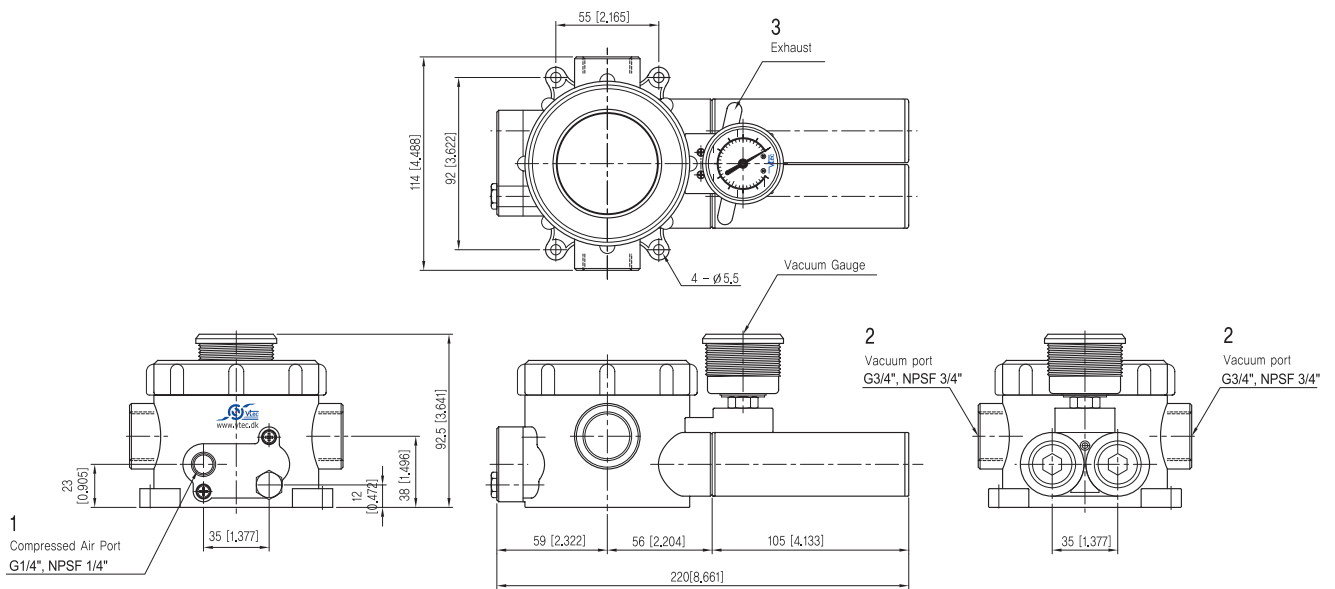
VTC 3022.. / VTCL 3022..



Measure unit : mm [in]

Standard

VTC 3032.. / VTCL 3032..

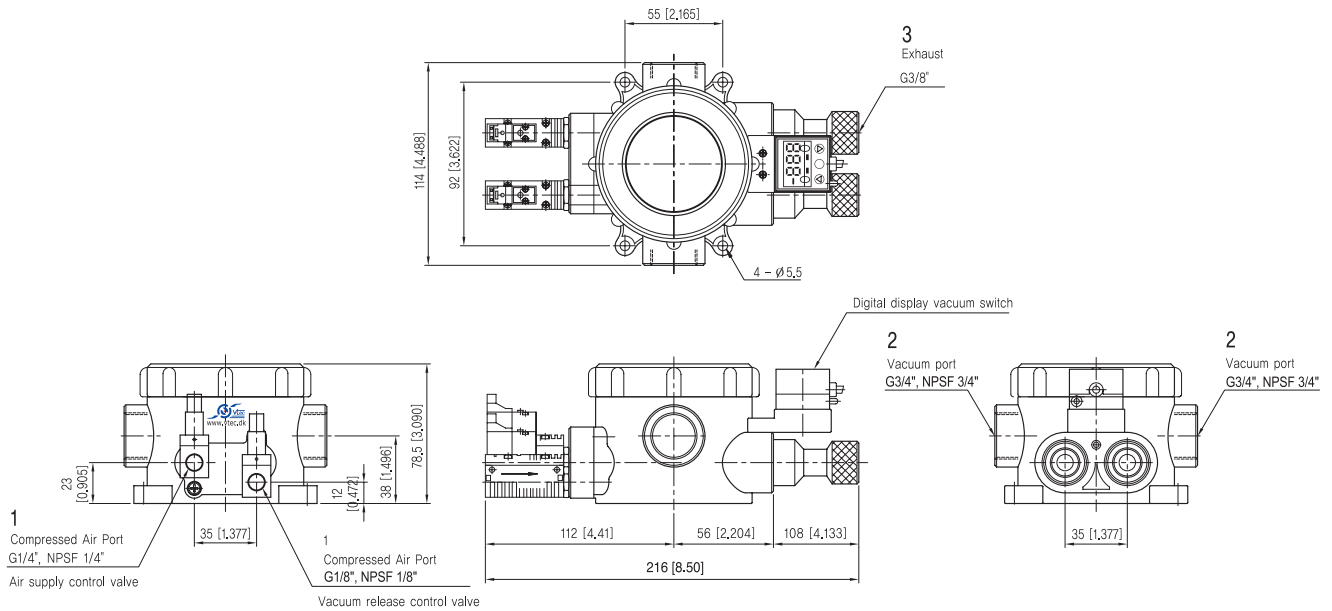


Measure unit : mm [in]

Dimensional Information

With Air Control valve, Vacuum Release Control valve and Digital Vacuum Switch

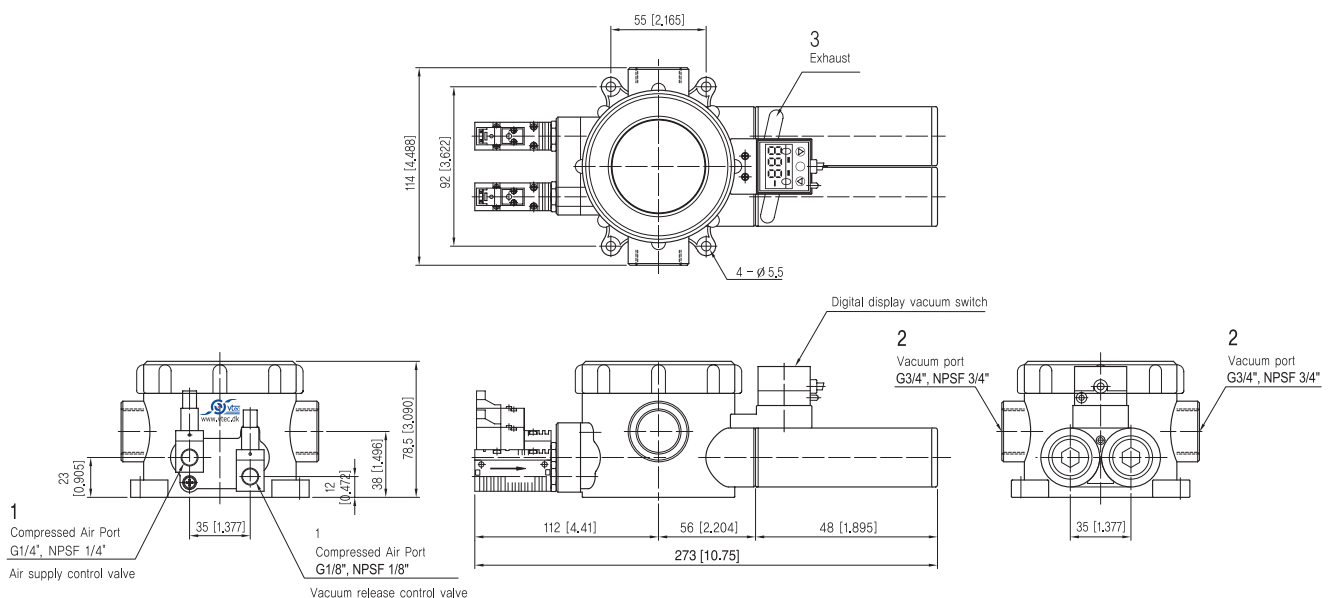
VTC 3022.. / VTCL 3022..



Measure unit : mm [in]

With Air Control valve, Vacuum Release Control valve and Digital Vacuum Switch

VTC 3032.. / VTCL 3032..



Measure unit : mm [in]

VACUUM PUMPS