

Series VTEC 100 ..

- Supply air pressure** : 4 ~ 6 bar, Max 7 bar
(58 ~ 87 psi, Max. 101.5 psi)
- Air consumption** : 300 ~ 420 NI/m
(10.59 ~ 14.83 scfm)
- Noise level** : 68 ~ 76 dBA
- Steel Material** : SUS 304 / SUS 316L
- Sealing Material** : Silicone
- Filter Material** :
 - TFE coated antistatic needle felt of polyester / carbon fibers
 - Washable 2 to 4 times in 40°C
 - Food quality
- Working temp.** : - 20°C ~ + 80°C



Ordering information

VTEC 100 L - AC B A

① ② ③ ④ ⑤ ⑥

① Vacuum pump

- **100** - Vacuum Pump with Free flow silencer (Standard)

② Filtration Area

- No mark - Standard (6 dm²)
- **L** - Extra large (11 dm²)

③ Control Unit

- **AC** - Pneumatic control.
Adjustable running time / discharge time / delay period.
Available level detector control. (option, required electricity)

AC2* - Pneumatic control.
Adjustable running time / discharge time.

EC - Electric control.
Adjustable running time / discharge time.
Available level detector control.

* Can not available with 'Fluidization', section ④

④ Fluidization (Blowing)

- No mark - Not attached
- **B** - Attached

⑤ Injection valve*

- No mark - Not attached
- **A** - Attached

* 03

⑥ Bag filter (Filtering capacity)

- **No mark** - 5 μ
- 0.5m - 0.5 μ

Specification

Model	Power Requirement (Pr)	Filter Surface (dm ²)	Control	Fluidization	Injection Valve
VTEC 100 - AC	3 ~ 6	6	Pneumatic	-	-
VTEC 100 - AC B	3 ~ 6	6		Attached	-
VTEC 100 - AC B A	3 ~ 6	6		Attached	Attached
VTEC 100 - AC2	3 ~ 6	6		-	-
VTEC 100 - AC2 A	3 ~ 6	6		-	Attached
VTEC 100 - EC	3 ~ 6	6	Electric	-	-
VTEC 100 - EC B	3 ~ 6	6		Attached	-
VTEC 100 - EC A	3 ~ 6	6		-	Attached
VTEC 100 - EC B A	3 ~ 6	6		Attached	Attached
VTEC 100L - AC	3 ~ 6	11	Pneumatic	-	-
VTEC 100L - AC B	3 ~ 6	11		Attached	-
VTEC 100L - AC B A	3 ~ 6	11		Attached	Attached
VTEC 100L - AC2	3 ~ 6	11		-	-
VTEC 100L - AC2 A	3 ~ 6	11		-	Attached
VTEC 100L - EC	3 ~ 6	11	Electric	-	-
VTEC 100L - EC B	3 ~ 6	11		Attached	-
VTEC 100L - EC A	3 ~ 6	11		-	Attached
VTEC 100L - EC B A	3 ~ 6	11		Attached	Attached

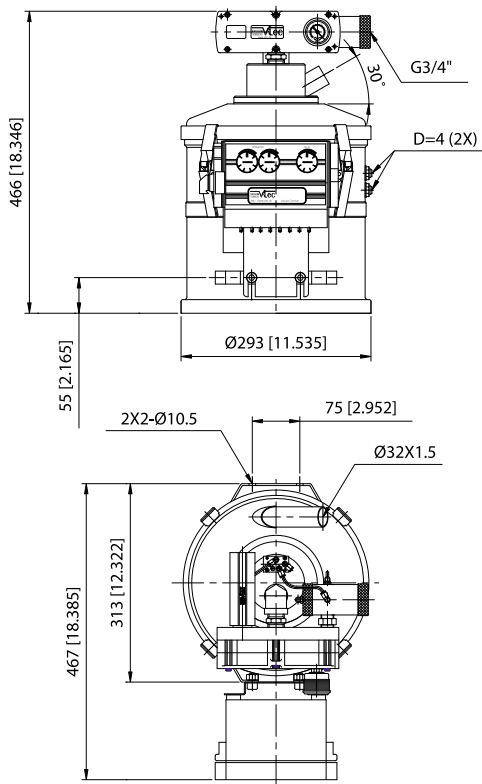
Model	Max. Conveying capacity (ton)	Capacity ton/h at different conveying distance				Rec. Material pipe dimension (mm)	Rec. Material volume (l/cycle)	Weight (kg)
		5m	10m	20m	30m			
VTEC 100 - AC	0.9	0.9	0.45	0.22	-	22 / 32	1	13.3
VTEC 100 - AC B	0.9	0.9	0.45	0.22	-	22 / 32	1	13.6
VTEC 100 - AC B A	0.9	0.9	0.45	0.22	-	22 / 32	1	13.6*
VTEC 100 - AC2	0.9	0.9	0.45	0.22	-	22 / 32	1	13.1
VTEC 100 - AC2 A	0.9	0.9	0.45	0.22	-	22 / 32	1	13.1*
VTEC 100 - EC	0.9	0.9	0.45	0.22	-	22 / 32	1	17.2
VTEC 100 - EC B	0.9	0.9	0.45	0.22	-	22 / 32	1	17.5
VTEC 100 - EC A	0.9	0.9	0.45	0.22	-	22 / 32	1	17.2*
VTEC 100 - EC B A	0.9	0.9	0.45	0.22	-	22 / 32	1	17.5*
VTEC 100L - AC	0.9	0.9	0.45	0.22	-	22 / 32	1	16
VTEC 100L - AC B	0.9	0.9	0.45	0.22	-	22 / 32	1	16.3
VTEC 100L - AC B A	0.9	0.9	0.45	0.22	-	22 / 32	1	16.3*
VTEC 100L - AC2	0.9	0.9	0.45	0.22	-	22 / 32	1	15.8
VTEC 100L - AC2 A	0.9	0.9	0.45	0.22	-	22 / 32	1	15.8*
VTEC 100L - EC	0.9	0.9	0.45	0.22	-	22 / 32	1	20
VTEC 100L - EC B	0.9	0.9	0.45	0.22	-	22 / 32	1	20.3
VTEC 100L - EC A	0.9	0.9	0.45	0.22	-	22 / 32	1	20*
VTEC 100L - EC B A	0.9	0.9	0.45	0.22	-	22 / 32	1	20.3*

* Not considered 'Injection valve module' weight

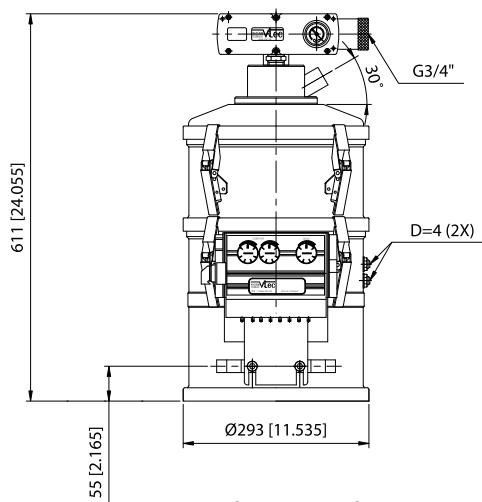
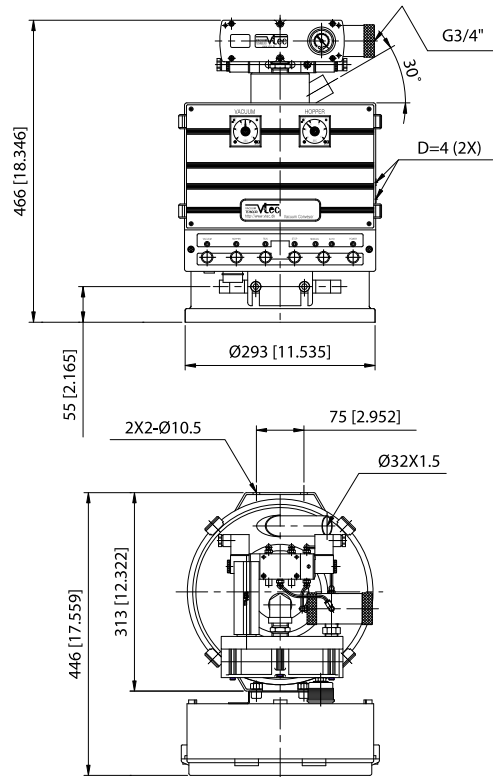
Dimension information

Series VTEC 100 .. / VTEC 100L ..

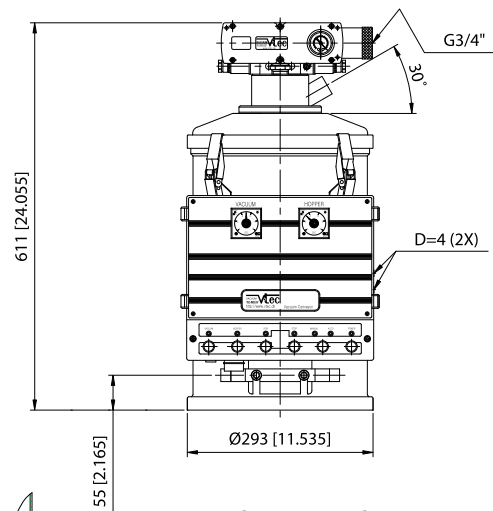
VTEC 100 AC ..



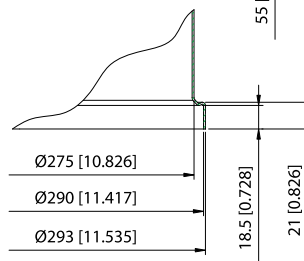
VTEC 100 EC ..



VTEC 100L AC ..



VTEC 100L EC ..



Measure Unit : mm [inch]