

## Series VTEC 200 ..

- Supply air pressure** : 4 ~ 6 bar, Max 7 bar  
(58 ~ 87 psi, Max. 101.5 psi)
- Air consumption** : 600 ~ 780 NI/m  
(21.18 ~ 27.54 scfm)
- Noise level** : 68 ~ 76 dBA
- Steel Material** : SUS 304 / SUS 316L
- Sealing Material** : Silicone
- Filter Material** :
  - TFE coated antistatic needle felt of polyester / carbon fibers
  - Washable 2 to 4 times in 40°C
  - Food quality
- Working temp.** : - 20°C ~ +80°C



## Ordering information

**VTEC 200 L - AC B A**

①
②
③
④
⑤
⑥

### ① Vacuum pump

- **200** - Vacuum Pump with Free flow exhaust duct (Standard)
- 200CP - Vacuum Pump with Concentration exhaust port

### ② Filtration Area

- No mark - Standard (14 dm<sup>2</sup>)
- **L** - Extra large (26 dm<sup>2</sup>)

### ③ Control Unit

- **AC** - Pneumatic control.  
Adjustable running time / discharge time / delay period.  
Available level detector control. (option, required electricity)
- AC2\* - Pneumatic control.  
Adjustable running time / discharge time.
- EC - Electric control.  
Adjustable running time / discharge time.  
Available level detector control.

\* Can not available with 'Fluidization', section ④

### ④ Fluidization (Blowing)

- No mark - Not attached
- **B** - Attached

### ⑤ Injection valve\*

- No mark - Not attached
- **A** - Attached

\* 03

### ⑥ Bag filter (Filtering capacity)

- **No mark** - 5 μ
- 0.5m - 0.5 μ

## Specification

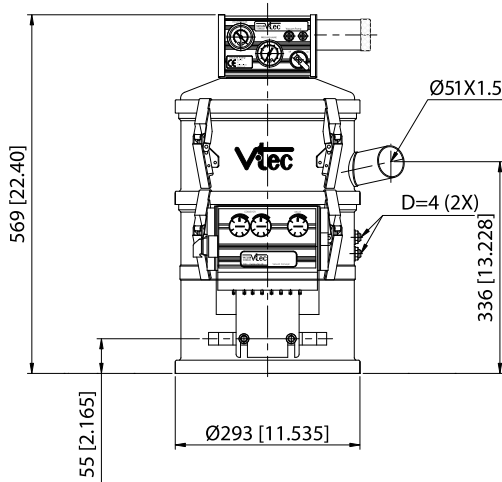
Model	Power Requirement (Pr)	Filter Surface (dm <sup>2</sup> )	Control	Fluidization	Injection Valve
VTEC 200 - AC	5 ~ 10	14	Pneumatic	-	-
VTEC 200 - AC B	5 ~ 10	14		Attached	-
VTEC 200 - AC B A	5 ~ 10	14		Attached	Attached
VTEC 200 - AC2	5 ~ 10	14		-	-
VTEC 200 - AC2 A	5 ~ 10	14		-	Attached
VTEC 200 - EC	5 ~ 10	14	Electric	-	-
VTEC 200 - EC B	5 ~ 10	14		Attached	-
VTEC 200 - EC A	5 ~ 10	14		-	Attached
VTEC 200 - EC B A	5 ~ 10	14		Attached	Attached
VTEC 200L - AC	5 ~ 10	26	Pneumatic	-	-
VTEC 200L - AC B	5 ~ 10	26		Attached	-
VTEC 200L - AC B A	5 ~ 10	26		Attached	Attached
VTEC 200L - AC2	5 ~ 10	26		-	-
VTEC 200L - AC2 A	5 ~ 10	26		-	Attached
VTEC 200L - EC	5 ~ 10	26	Electric	-	-
VTEC 200L - EC B	5 ~ 10	26		Attached	-
VTEC 200L - EC A	5 ~ 10	26		-	Attached
VTEC 200L - EC B A	5 ~ 10	26		Attached	Attached

Model	Max. Conveying capacity (ton)	Capacity ton/h at different conveying distance				Rec. Material pipe dimension (mm)	Rec. Material volume (l/cycle)	Weight (kg)
		5m	10m	20m	30m			
VTEC 200 - AC	1.5	1.5	0.8	0.4	0.2	32 / 40 / 50	4	19.4
VTEC 200 - AC B	1.5	1.5	0.8	0.4	0.2	32 / 40 / 50	4	19.7
VTEC 200 - AC B A	1.5	1.5	0.8	0.4	0.2	32 / 40 / 50	4	19.7*
VTEC 200 - AC2	1.5	1.5	0.8	0.4	0.2	32 / 40 / 50	4	19.2
VTEC 200 - AC2 A	1.5	1.5	0.8	0.4	0.2	32 / 40 / 50	4	19.2*
VTEC 200 - EC	1.5	1.5	0.8	0.4	0.2	32 / 40 / 50	4	22.9
VTEC 200 - EC B	1.5	1.5	0.8	0.4	0.2	32 / 40 / 50	4	23.2
VTEC 200 - EC A	1.5	1.5	0.8	0.4	0.2	32 / 40 / 50	4	22.9*
VTEC 200 - EC B A	1.5	1.5	0.8	0.4	0.2	32 / 40 / 50	4	23.2*
VTEC 200L - AC	1.5	1.5	0.8	0.4	0.2	32 / 40 / 50	4	20.8
VTEC 200L - AC B	1.5	1.5	0.8	0.4	0.2	32 / 40 / 50	4	21.1
VTEC 200L - AC B A	1.5	1.5	0.8	0.4	0.2	32 / 40 / 50	4	21.1*
VTEC 200L - AC2	1.5	1.5	0.8	0.4	0.2	32 / 40 / 50	4	20.6
VTEC 200L - AC2 A	1.5	1.5	0.8	0.4	0.2	32 / 40 / 50	4	20.6*
VTEC 200L - EC	1.5	1.5	0.8	0.4	0.2	32 / 40 / 50	4	23.7
VTEC 200L - EC B	1.5	1.5	0.8	0.4	0.2	32 / 40 / 50	4	24
VTEC 200L - EC A	1.5	1.5	0.8	0.4	0.2	32 / 40 / 50	4	23.7*
VTEC 200L - EC B A	1.5	1.5	0.8	0.4	0.2	32 / 40 / 50	4	24*

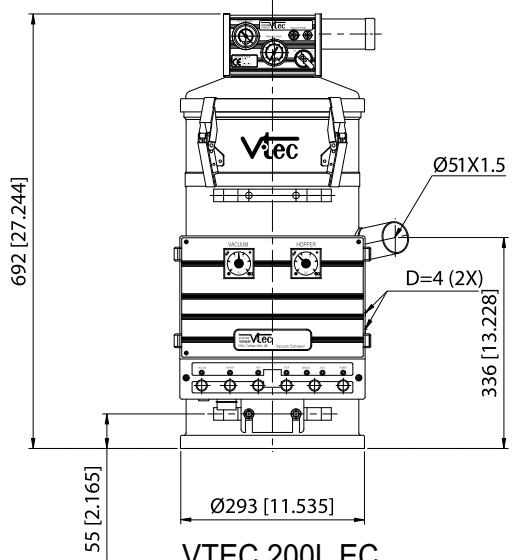
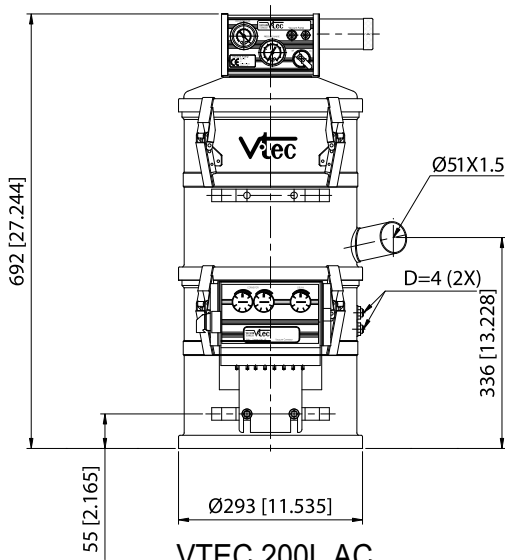
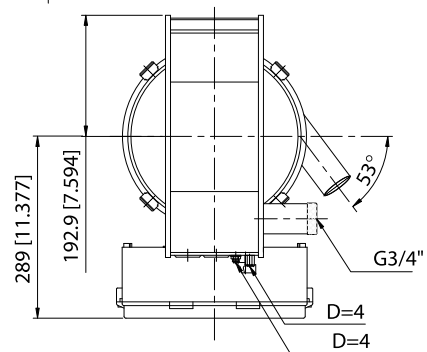
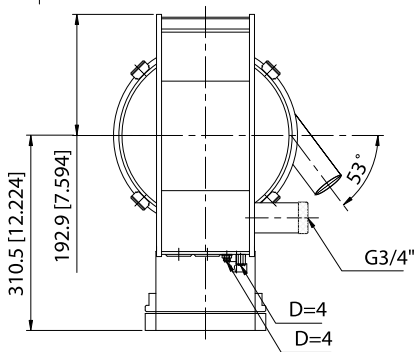
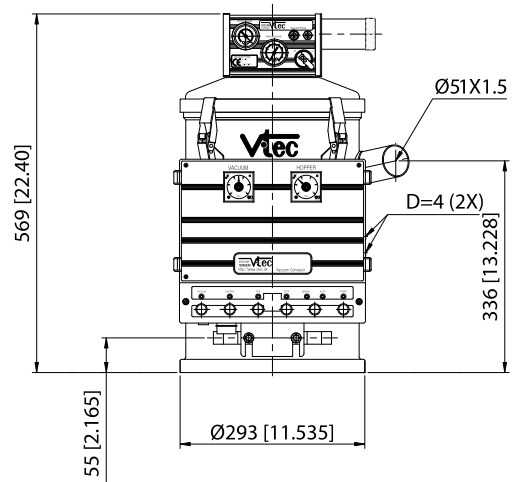
\* Not considered 'Injection valve module' weight

# Series VTEC 200 .. / VTEC 200L .. VTEC 400 ..

VTEC 200 AC ..

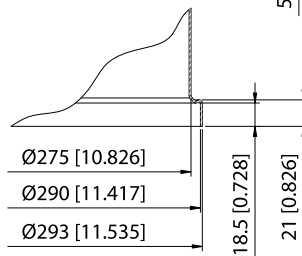


VTEC 200 EC ..



VTEC 200L AC ..  
VTEC 400 AC ..

VTEC 200L EC ..  
VTEC 400 EC ..



Measure Unit : mm [inch]