

## Series VTEC 400 ..

- Supply air pressure** : 4 ~ 6 bar, Max 7 bar  
(58 ~ 87 psi, Max. 101.5 psi)
- Air consumption** : 1200 ~ 1680 NI/m  
(42.37 ~ 59.32 scfm)
- Noise level** : 68 ~ 76 dBA
- Steel Material** : SUS 304 / SUS 316L
- Sealing Material** : Silicone
- Filter Material** : • TFE coated antistatic needle felt of polyester / carbon fibers  
• Washable 2 to 4 times in 40°C  
• Food quality
- Working temp.** : - 20°C ~ +80°C



## Ordering information

VTEC 400  - AC B A

①      ②      ③      ④      ⑤      ⑥

### ① Vacuum pump

- **400** - Vacuum Pump with Free flow exhaust duct (Standard)
- 400CP - Vacuum Pump with Concentration exhaust port

### ② Filtration Area

- No mark - Standard (26 dm<sup>2</sup>)
- **L** - Extra large (50 dm<sup>2</sup>)

### ③ Control Unit

- **AC** - Pneumatic control.  
Adjustable running time / discharge time / delay period.  
Available level detector control. (option, required electricity)

AC2\* - Pneumatic control.  
Adjustable running time / discharge time.

EC - Electric control.  
Adjustable running time / discharge time.  
Available level detector control.

\* Can not available with 'Fluidization', section ④

### ④ Fluidization (Blowing)

- No mark - Not attached
- **B** - Attached

### ⑤ Injection valve\*

- No mark - Not attached
- **A** - Attached

\* 03

### ⑥ Bag filter (Filtering capacity)

- **No mark** - 5 μ
- 0.5m - 0.5 μ

## Specification

Model	Power Requirement (Pr)	Filter Surface (dm <sup>2</sup> )	Control	Fluidization	Injection Valve
VTEC 400 - AC	10 ~ 20	26	Pneumatic	-	-
VTEC 400 - AC B	10 ~ 20	26		Attached	-
VTEC 400 - AC B A	10 ~ 20	26		Attached	Attached
VTEC 400 - AC2	10 ~ 20	26		-	-
VTEC 400 - AC2 A	10 ~ 20	26		-	Attached
VTEC 400 - EC	10 ~ 20	26	Electric	-	-
VTEC 400 - EC B	10 ~ 20	26		Attached	-
VTEC 400 - EC A	10 ~ 20	26		-	Attached
VTEC 400 - EC B A	10 ~ 20	26		Attached	Attached
VTEC 400L - AC	10 ~ 20	50	Pneumatic	-	-
VTEC 400L - AC B	10 ~ 20	50		Attached	-
VTEC 400L - AC B A	10 ~ 20	50		Attached	Attached
VTEC 400L - AC2	10 ~ 20	50		-	-
VTEC 400L - AC2 A	10 ~ 20	50		-	Attached
VTEC 400L - EC	10 ~ 20	50	Electric	-	-
VTEC 400L - EC B	10 ~ 20	50		Attached	-
VTEC 400L - EC A	10 ~ 20	50		-	Attached
VTEC 400L - EC B A	10 ~ 20	50		Attached	Attached

Model	Max. Conveying capacity (ton)	Capacity ton/h at different conveying distance				Rec. Material pipe dimension (mm)	Rec. Material volume (l/cycle)	Weight (kg)
		5m	10m	20m	30m			
VTEC 400 - AC	3	3	1.5	0.8	0.5	40/50	4	19.5
VTEC 400 - AC B	3	3	1.5	0.8	0.5	40/50	4	19.8
VTEC 400 - AC B A	3	3	1.5	0.8	0.5	40/50	4	19.8*
VTEC 400 - AC2	3	3	1.5	0.8	0.5	40/50	4	19.3
VTEC 400 - AC2 A	3	3	1.5	0.8	0.5	40/50	4	19.3*
VTEC 400 - EC	3	3	1.5	0.8	0.5	40/50	4	23
VTEC 400 - EC B	3	3	1.5	0.8	0.5	40/50	4	23.3
VTEC 400 - EC A	3	3	1.5	0.8	0.5	40/50	4	23*
VTEC 400 - EC B A	3	3	1.5	0.8	0.5	40/50	4	23.3*
VTEC 400L - AC	3	3	1.5	0.8	0.5	40/50	4	20.9
VTEC 400L - AC B	3	3	1.5	0.8	0.5	40/50	4	21.2
VTEC 400L - AC B A	3	3	1.5	0.8	0.5	40/50	4	21.2*
VTEC 400L - AC2	3	3	1.5	0.8	0.5	40/50	4	20.7
VTEC 400L - AC2 A	3	3	1.5	0.8	0.5	40/50	4	20.7*
VTEC 400L - EC	3	3	1.5	0.8	0.5	40/50	4	23.8
VTEC 400L - EC B	3	3	1.5	0.8	0.5	40/50	4	24.1
VTEC 400L - EC A	3	3	1.5	0.8	0.5	40/50	4	23.8*
VTEC 400L - EC B A	3	3	1.5	0.8	0.5	40/50	4	24.1*

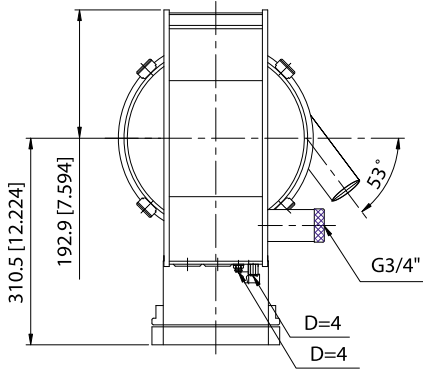
\* Not considered 'Injection valve module' weight



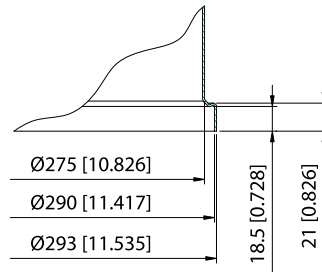
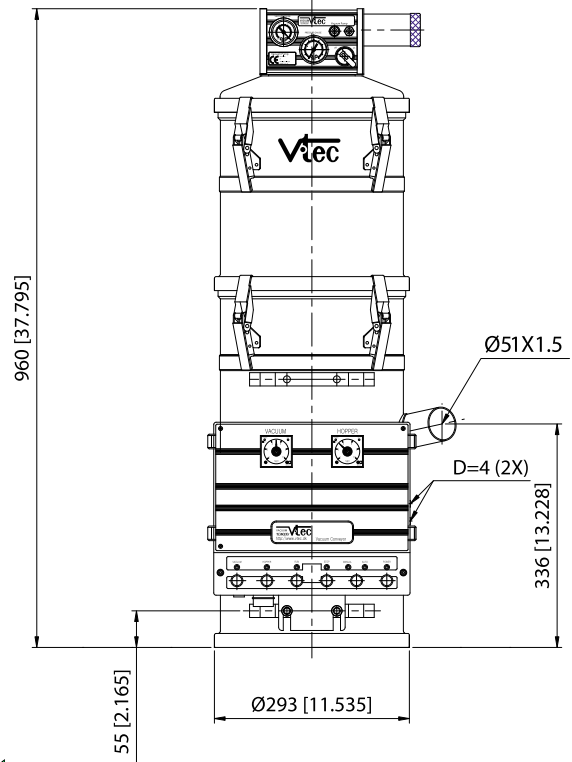
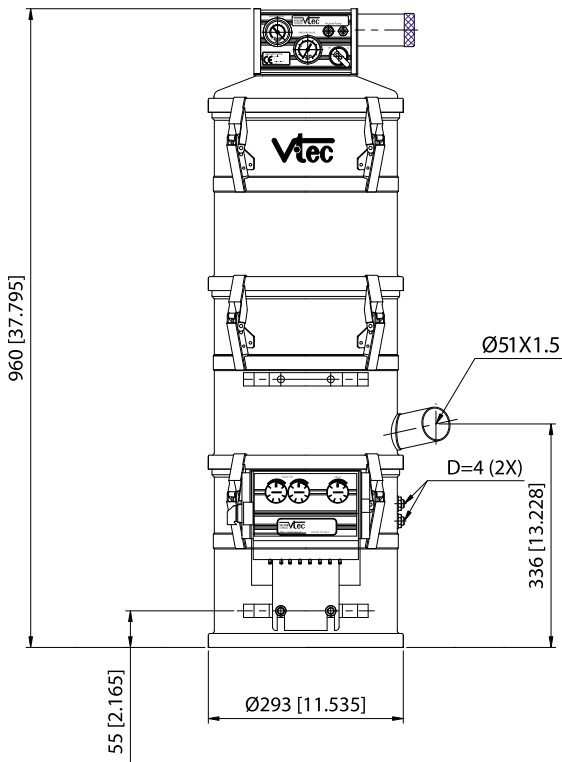
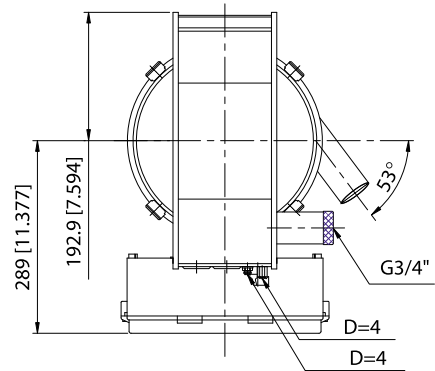
## Dimension information

### Series VTEC 400L..

VTEC 400L AC ..



VTEC 400L EC ..



Measure Unit : mm [inch]