

Series VTEC 600 ..

- Supply air pressure** : 4 ~ 6 bar, Max 7 bar
(58 ~ 87 psi, Max. 101.5 psi)
- Air consumption** : 1800 ~ 2520 NI/m
(63.56 ~ 88.99 scfm)
- Noise level** : 68 ~ 76 dBA
- Steel Material** : SUS 304 / SUS 316L
- Sealing Material** : Silicone
- Filter Material** :
 - TFE coated antistatic needle felt of polyester / carbon fibers
 - Washable 2 to 4 times in 40°C
 - Food quality
- Working temp.** : - 20°C ~ +80°C



Ordering information

VTEC 600 - **AC B A**
 ① ② ③ ④ ⑤ ⑥

① Vacuum pump

- **600** - Vacuum Pump with Free flow exhaust duct (Standard)
- 600CP - Vacuum Pump with Concentration exhaust port

② Filtration Area

- No mark - Standard (65 dm²)
- **L** - Extra large (120 dm²)

③ Control Unit

- **AC** - Pneumatic control.
Adjustable running time / discharge time / delay period.
Available level detector control. (option, required electricity)
- AC2* - Pneumatic control.
Adjustable running time / discharge time.
- EC** - Electric control.
Adjustable running time / discharge time.
Available level detector control.

* Can not available with 'Fluidization', section ④

④ Fluidization (Blowing)

- No mark - Not attached
- **B** - Attached

⑤ Injection valve*

- No mark - Not attached
- **A** - Attached

⑥ Bag filter (Filtering capacity)

- **No mark** - 5 μ
- 0.5m - 0.5 μ

* 03

Specification

Model	Power Requirement (Pr)	Filter Surface (dm ²)	Control	Fluidization	Injection Valve
VTEC 600 - AC	15~25	65	Pneumatic	-	-
VTEC 600 - AC B	15~25	65		Attached	-
VTEC 600 - AC B A	15~25	65		Attached	Attached
VTEC 600 - AC2	15~25	65		-	-
VTEC 600 - AC2 A	15~25	65		-	Attached
VTEC 600 - EC	15~25	65	Electric	-	-
VTEC 600 - EC B	15~25	65		Attached	-
VTEC 600 - EC A	15~25	65		-	Attached
VTEC 600 - EC B A	15~25	65		Attached	Attached
VTEC 600L - AC	15~25	120	Pneumatic	-	-
VTEC 600L - AC B	15~25	120		Attached	-
VTEC 600L - AC B A	15~25	120		Attached	Attached
VTEC 600L - AC2	15~25	120		-	-
VTEC 600L - AC2 A	15~25	120		-	Attached
VTEC 600L - EC	15~25	120	Electric	-	-
VTEC 600L - EC B	15~25	120		Attached	-
VTEC 600L - EC A	15~25	120		-	Attached
VTEC 600L - EC B A	15~25	120		Attached	Attached

Model	Max. Conveying capacity (ton)	Capacity ton/h at different conveying distance				Rec. Material pipe dimension (mm)	Rec. Material volume (l/cycle)	Weight (kg)
		5m	10m	20m	30m			
VTEC 600 - AC	4.5	4.5	2.2	1	0.6	40/50/75/100	18	36.5
VTEC 600 - AC B	4.5	4.5	2.2	1	0.6	40/50/75/100	18	37
VTEC 600 - AC B A	4.5	4.5	2.2	1	0.6	40/50/75/100	18	37*
VTEC 600 - AC2	4.5	4.5	2.2	1	0.6	40/50/75/100	18	36.3
VTEC 600 - AC2 A	4.5	4.5	2.2	1	0.6	40/50/75/100	18	36.3*
VTEC 600 - EC	4.5	4.5	2.2	1	0.6	40/50/75/100	18	40.5
VTEC 600 - EC B	4.5	4.5	2.2	1	0.6	40/50/75/100	18	41
VTEC 600 - EC A	4.5	4.5	2.2	1	0.6	40/50/75/100	18	40.5*
VTEC 600 - EC B A	4.5	4.5	2.2	1	0.6	40/50/75/100	18	41*
VTEC 600L - AC	4.5	4.5	2.2	1	0.6	40/50/75/100	18	46.5
VTEC 600L - AC B	4.5	4.5	2.2	1	0.6	40/50/75/100	18	47
VTEC 600L - AC B A	4.5	4.5	2.2	1	0.6	40/50/75/100	18	47*
VTEC 600L - AC2	4.5	4.5	2.2	1	0.6	40/50/75/100	18	46.3
VTEC 600L - AC2 A	4.5	4.5	2.2	1	0.6	40/50/75/100	18	46.3*
VTEC 600L - EC	4.5	4.5	2.2	1	0.6	40/50/75/100	18	50.5
VTEC 600L - EC B	4.5	4.5	2.2	1	0.6	40/50/75/100	18	51
VTEC 600L - EC A	4.5	4.5	2.2	1	0.6	40/50/75/100	18	50.5*
VTEC 600L - EC B A	4.5	4.5	2.2	1	0.6	40/50/75/100	18	51*

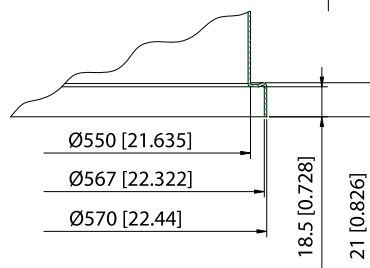
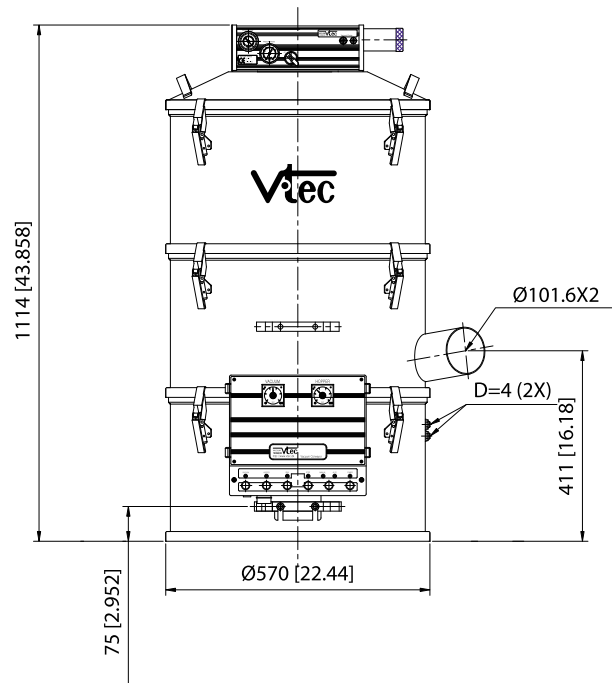
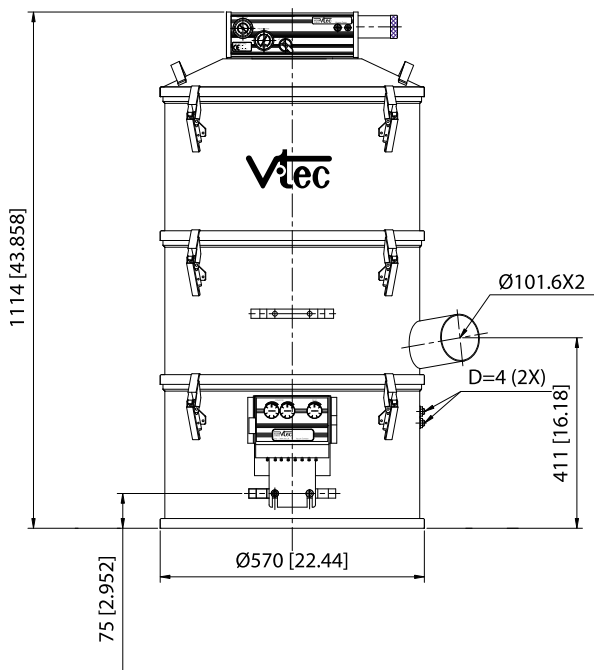
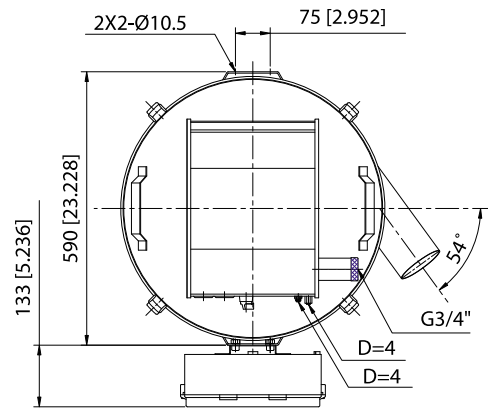
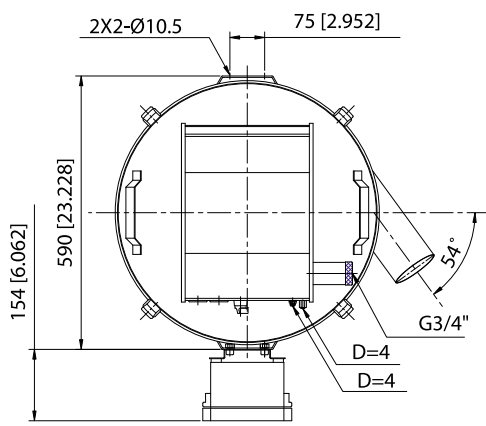
* Not considered 'Injection valve module' weight

Dimension information

Series VTEC 600L .. / VTEC 800L .. VTEC 1000 .. / VTEC 1200 ..

VTEC 600L AC ..
VTEC 800L AC ..
VTEC 1000 AC ..
VTEC 1200 AC ..

VTEC 600L EC ..
VTEC 800L EC ..
VTEC 1000 EC ..
VTEC 1200 EC ..



Measure Unit : mm [inch]