

Series VTEC 800 ..

- Supply air pressure** : 4 ~ 6 bar, Max 7 bar
(58 ~ 87 psi, Max. 101.5 psi)
- Air consumption** : 2400 ~ 3360 NI/m
(84.75 ~ 118.65 scfm)
- Noise level** : 68 ~ 76 dBA
- Steel Material** : SUS 304 / SUS 316L
- Sealing Material** : Silicone
- Filter Material** :
 - TFE coated antistatic needle felt of polyester / carbon fibers
 - Washable 2 to 4 times in 40°C
 - Food quality
- Working temp.** : - 20°C ~ +80°C



Ordering information

VTEC 800 - **AC B A**
 ① ② ③ ④ ⑤ ⑥

① Vacuum pump

- **800** - Vacuum Pump with Free flow exhaust duct (Standard)
- 800CP - Vacuum Pump with Concentration exhaust port

② Filtration Area

- No mark - Standard (65 dm²)
- **L** - Extra large (120 dm²)

③ Control Unit

- **AC** - Pneumatic control.
Adjustable running time / discharge time / delay period.
Available level detector control. (option, required electricity)
- AC2* - Pneumatic control.
Adjustable running time / discharge time.
- EC** - Electric control.
Adjustable running time / discharge time.
Available level detector control.

* Can not available with 'Fluidization', section ④

④ Fluidization (Blowing)

- No mark - Not attached
- **B** - Attached

⑤ Injection valve*

- No mark - Not attached
- **A** - Attached

* 03

⑥ Bag filter (Filtering capacity)

- **No mark** - 5 μ
- 0.5m - 0.5 μ

Specification

| Model | Power Requirement (Pr) | Filter Surface (dm ²) | Control | Fluidization | Injection Valve |
|--------------------|------------------------|-----------------------------------|-----------|--------------|-----------------|
| VTEC 800 - AC | 20 ~ 40 | 65 | Pneumatic | - | - |
| VTEC 800 - AC B | 20 ~ 40 | 65 | | Attached | - |
| VTEC 800 - AC B A | 20 ~ 40 | 65 | | Attached | Attached |
| VTEC 800 - AC2 | 20 ~ 40 | 65 | | - | - |
| VTEC 800 - AC2 A | 20 ~ 40 | 65 | | - | Attached |
| VTEC 800 - EC | 20 ~ 40 | 65 | Electric | - | - |
| VTEC 800 - EC B | 20 ~ 40 | 65 | | Attached | - |
| VTEC 800 - EC A | 20 ~ 40 | 65 | | - | Attached |
| VTEC 800 - EC B A | 20 ~ 40 | 65 | | Attached | Attached |
| VTEC 800L - AC | 20 ~ 40 | 120 | Pneumatic | - | - |
| VTEC 800L - AC B | 20 ~ 40 | 120 | | Attached | - |
| VTEC 800L - AC B A | 20 ~ 40 | 120 | | Attached | Attached |
| VTEC 800L - AC2 | 20 ~ 40 | 120 | | - | - |
| VTEC 800L - AC2 A | 20 ~ 40 | 120 | | - | Attached |
| VTEC 800L - EC | 20 ~ 40 | 120 | Electric | - | - |
| VTEC 800L - EC B | 20 ~ 40 | 120 | | Attached | - |
| VTEC 800L - EC A | 20 ~ 40 | 120 | | - | Attached |
| VTEC 800L - EC B A | 20 ~ 40 | 120 | | Attached | Attached |

| Model | Max. Conveying capacity (ton) | Capacity ton/h at different conveying distance | | | | Rec. Material pipe dimension (mm) | Rec. Material volume (l/cycle) | Weight (kg) |
|--------------------|-------------------------------|--|-----|-----|-----|-----------------------------------|--------------------------------|-------------|
| | | 5m | 10m | 20m | 30m | | | |
| VTEC 800 - AC | 6 | 6 | 3 | 1.5 | 1 | 50 / 75 / 100 | 18 | 37.5 |
| VTEC 800 - AC B | 6 | 6 | 3 | 1.5 | 1 | 50 / 75 / 100 | 18 | 38 |
| VTEC 800 - AC B A | 6 | 6 | 3 | 1.5 | 1 | 50 / 75 / 100 | 18 | 38* |
| VTEC 800 - AC2 | 6 | 6 | 3 | 1.5 | 1 | 50 / 75 / 100 | 18 | 37.3 |
| VTEC 800 - AC2 A | 6 | 6 | 3 | 1.5 | 1 | 50 / 75 / 100 | 18 | 37.3* |
| VTEC 800 - EC | 6 | 6 | 3 | 1.5 | 1 | 50 / 75 / 100 | 18 | 41.5 |
| VTEC 800 - EC B | 6 | 6 | 3 | 1.5 | 1 | 50 / 75 / 100 | 18 | 42 |
| VTEC 800 - EC A | 6 | 6 | 3 | 1.5 | 1 | 50 / 75 / 100 | 18 | 41.5* |
| VTEC 800 - EC B A | 6 | 6 | 3 | 1.5 | 1 | 50 / 75 / 100 | 18 | 42* |
| VTEC 800L - AC | 6 | 6 | 3 | 1.5 | 1 | 50 / 75 / 100 | 18 | 47.5 |
| VTEC 800L - AC B | 6 | 6 | 3 | 1.5 | 1 | 50 / 75 / 100 | 18 | 48 |
| VTEC 800L - AC B A | 6 | 6 | 3 | 1.5 | 1 | 50 / 75 / 100 | 18 | 48* |
| VTEC 800L - AC2 | 6 | 6 | 3 | 1.5 | 1 | 50 / 75 / 100 | 18 | 47.3 |
| VTEC 800L - AC2 A | 6 | 6 | 3 | 1.5 | 1 | 50 / 75 / 100 | 18 | 47.3* |
| VTEC 800L - EC | 6 | 6 | 3 | 1.5 | 1 | 50 / 75 / 100 | 18 | 51.5 |
| VTEC 800L - EC B | 6 | 6 | 3 | 1.5 | 1 | 50 / 75 / 100 | 18 | 52 |
| VTEC 800L - EC A | 6 | 6 | 3 | 1.5 | 1 | 50 / 75 / 100 | 18 | 51.5* |
| VTEC 800L - EC B A | 6 | 6 | 3 | 1.5 | 1 | 50 / 75 / 100 | 18 | 52* |

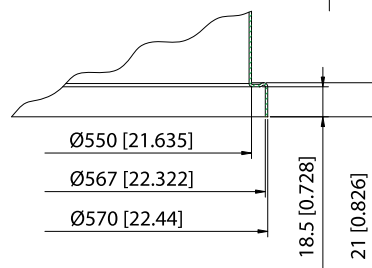
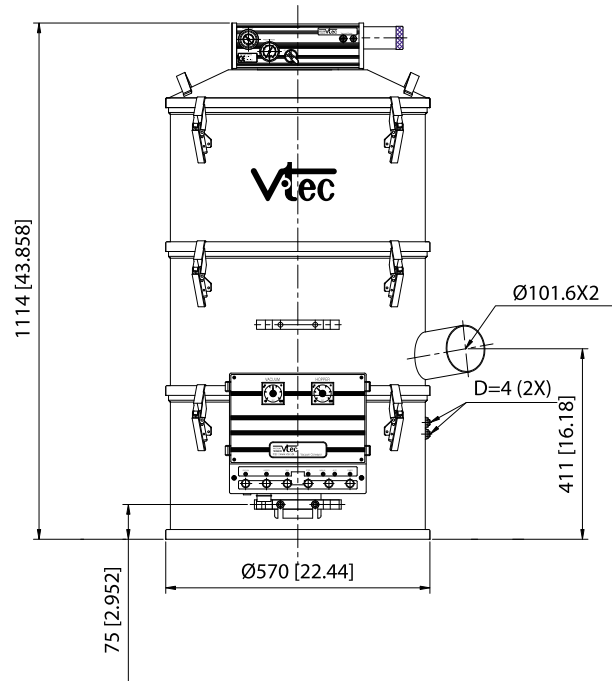
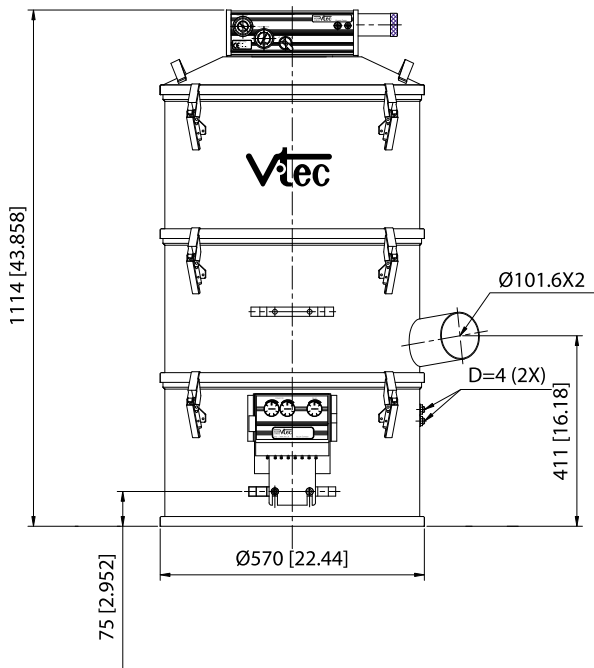
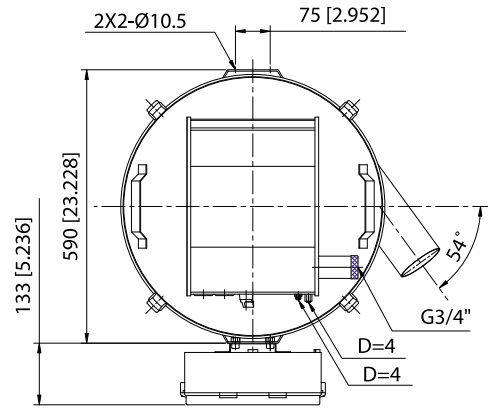
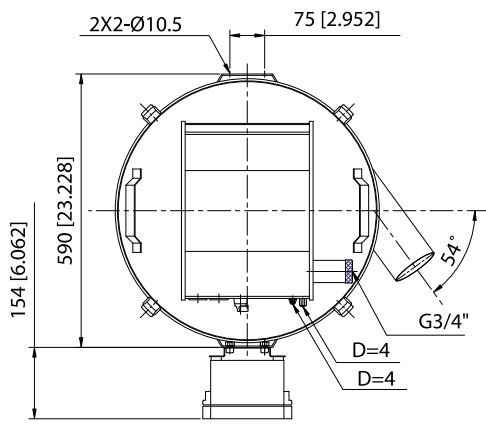
* Not considered 'Injection valve module' weight

Dimension information

Series VTEC 600L .. / VTEC 800L .. VTEC 1000 .. / VTEC 1200 ..

VTEC 600L AC ..
VTEC 800L AC ..
VTEC 1000 AC ..
VTEC 1200 AC ..

VTEC 600L EC ..
VTEC 800L EC ..
VTEC 1000 EC ..
VTEC 1200 EC ..



Measure Unit : mm [inch]