

VFC Series (Flat Curve)

Features and Strengths

This cup is specifically designed to cope with both flat and curved surfaces, which means that multiple objects can be handled with the same suction cup.



Suitable for Handling

- Automotive Windscreens, Roof and Door.
- Sheet Metal
- Shaped Sheet Metal Panels
- TV Cathode ray Tube



Order No.

VFC50 PU - N 1838MF - LN 1820T BJ N18

①

②

③

④

⑤

► See pages 45, 60-65.

① Diameter

• VFC50	– 1,96"
VFC60	– 2,36"
VFC60X1	– 2,36"
VFC75	– 2,95"
VFC75X1	– 2,95"
VFC75X2	– 2,95"
VFC90*	– 3,54"
VFC100	– 3,43"

*Only for PU Material

② Material

N	– NBR
S	– Silicon
WS	– White Silicon
CS	– Conductive (Special mat'l)
U	– Urethane
A	– Mark free
• PU	– Poly Urethane*
WPU	– Poly Urethane* (Minimal mark)

*Only for VFC50, VFC60
VFC75, VFC90, VFC100

③ Thread size

M10M	– M10XP1,5 male (VFC60X1, VFC75X1)
M16M	– M16XP1,0 male (VFC75X2)
• N1838MF	– 1/8" NPSF female and 3/8" NPT male (VFC50, VFC60, VFC75)
NF18F(A)	– 1/8" NPSF female (VFC90, VFC100)
NF14F(A)	– 1/4" NPSF (VFC90, VFC100)
NF38F(A)	– 3/8" NPSF female (VFC90, VFC100)
12F(A)	– G1/2" female (VFC90, VFC100)

Remark : VFC90, 100 fittings are including mesh filter.
(A) : AL-Material

Accessories order No.

LN 1820T BJ N18

④

⑤

④ Level compensator		⑤ Ball joint model
Model	Stroke (in)	
L1805M	0.197	● BJ N18
LN1810T	0.393	
LN1810TS, LN1810TSE	0.393	
LN1815T, L1815	0.59	
● LN1820T, LN1820TS	0.787	
LN1820TN*	0.787	
L1830	1.181	
LN1830T, LN1830TS	1.181	
L1850	1.968	
LN1850T	1.968	
LN1230	1.181	BJ 12
LN1230T	1.181	
LN1250	1.968	
LN1250T	1.968	

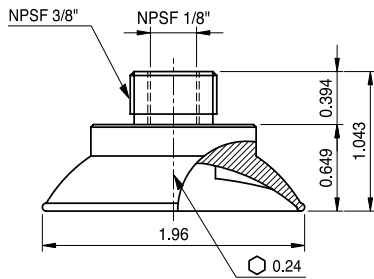
* Not available with ball joint(BJ)

SUCTION CUPS

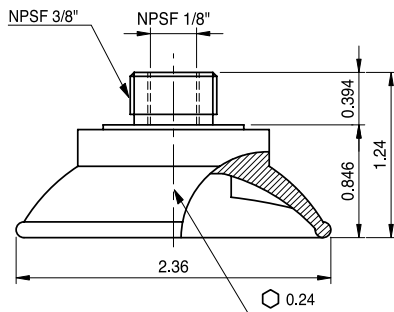
Recommended (max.) lifting forces

Model	Volume (inch ³)	Lifting Force (lb.f) – Perpendicular			Lifting Force (lb.f) – Perpendicular		
		-6 inHg	-18 inHg	-27 inHg	-6 inHg	-18 inHg	-27 inHg
VFC50	0.61	7.871	19.114	28.109	7.871	19.114	24.736
VFC60	1.22	12.125	30.865	40.786	11.905	30.865	41.667
VFC60X1	1.22	12.125	30.865	40.786	11.905	30.865	41.667
VFC75	1.83	16.865	42.726	56.240	17.990	44.974	60.737
VFC75X1	1.83	16.865	42.726	56.240	17.990	44.974	60.737
VFC75X2	1.83	16.865	42.726	56.240	17.990	44.974	60.737
VFC90	3.66	20.613	54.719	71.981	20.988	47.598	61.487
VFC100	4.88	28.109	78.727	103.463	26.985	47.598	62.986

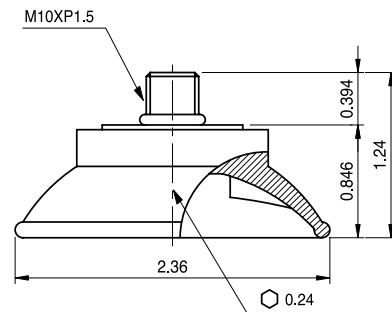
Dimensional Information



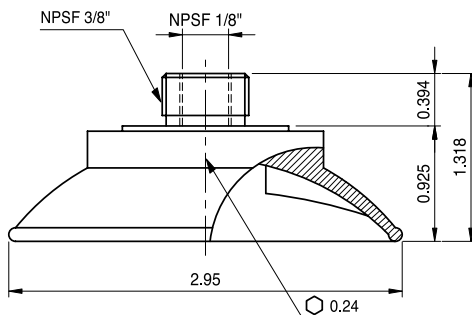
VFC50-NF1838MF



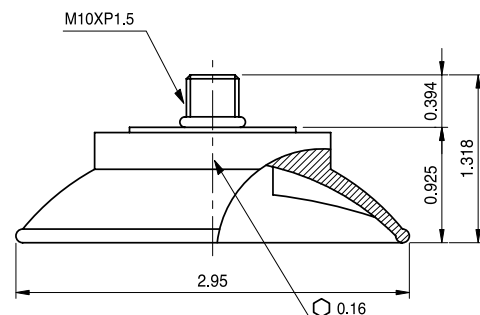
VFC60-NF1838MF



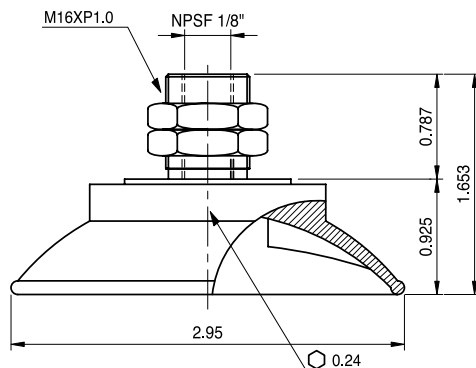
VFC60 X 1



VFC75-NF1838MF



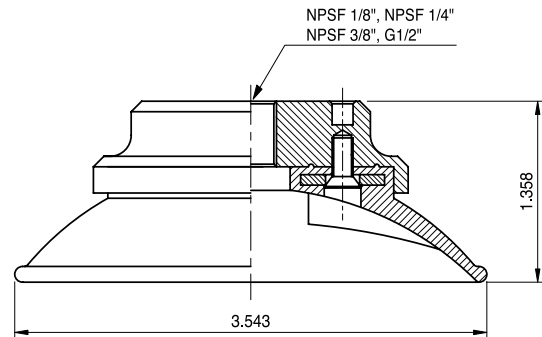
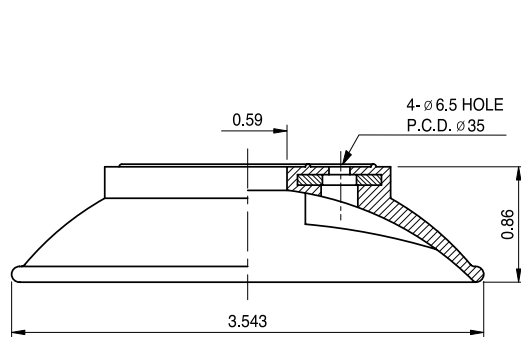
VFC75 X 1



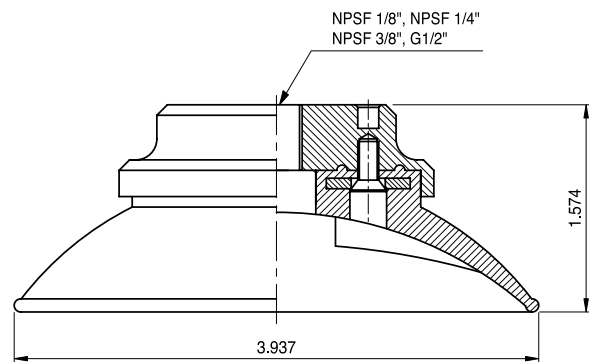
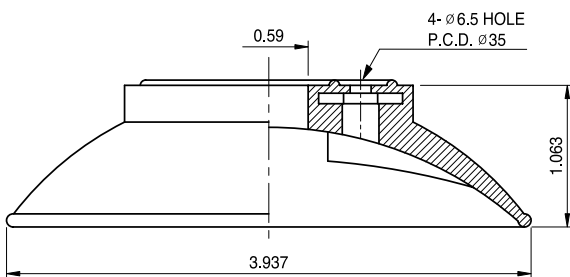
VFC75 X 2

[Measure unit : inch]

Dimensional Information



VFC90



VFC100

[Measure unit : inch]