

VOBF Series (Oval, Bellows & Flat)

Features and Strengths

- ✓ Suitable for handling long and narrow objects with flat and curved surfaces
- ✓ Enhancing the adhesion with durable material
- ✓ Stable lifting force can be achieved with this cup for perpendicular and parallel application
- ✓ The feet inside the cup provide an anti-slide

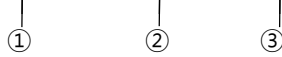


Suitable for Handling

- Automotive panels and door
- Sheet metal
- Press line

Order No.

VOBF40X80 PU - 18F



① Size Ø

- VOBF30X60 - Ø30X60
- **VOBF40X80** - Ø40X80
- VOBF55X110 - Ø55X110

② Material

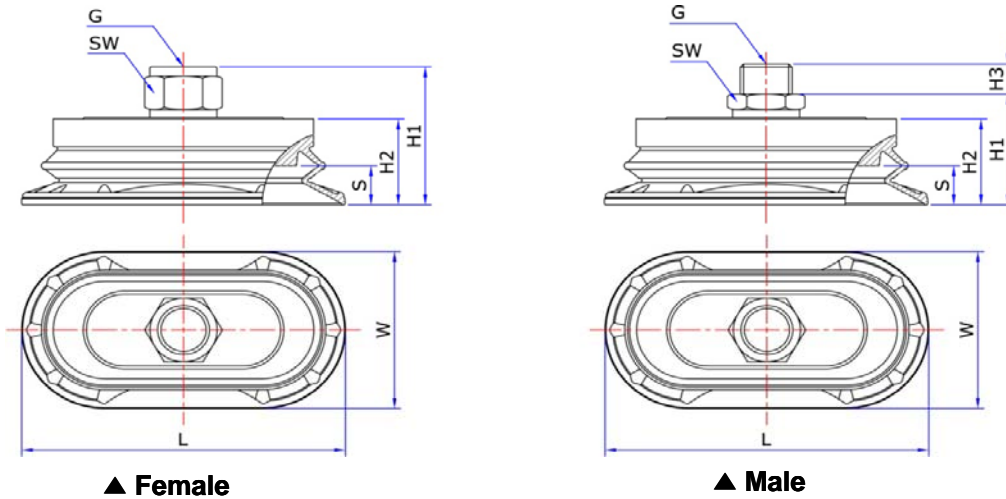
- **PU** - Poly Urethane
- WPU - White Poly Urethane

③ Thread size

- 18M - G1/8" male (VOBF 30X60, 40X80, 55X110)
- **18F** - G1/8" female (VOBF 30X60, 40X80, 55X110)
- 14M - G1/4" male (VOBF 30X60, 40X80, 55X110)
- 14F - G1/4" female (VOBF 30X60, 40X80, 55X110)
- 38F - G3/8" female (VOBF 30X60, 40X80, 55X110)
- N18M - NPT 1/8" male (VOBF 30X60, 40X80)
- NF18F - NPSF 1/8" female (VOBF 30X60, 40X80)
- N14M - NPT 1/4" male (VOBF 30X60, 40X80, 55X110)
- NF14F - NPSF 1/4" female (VOBF 30X60, 40X80, 55X110)
- NF38F - NPSF 3/8" female (VOBF 30X60, 40X80, 55X110)
- M10M - M10xP1.5 male (VOBF 30X60, 40X80, 55X110)

Technical Data

Model	Volume (cm ³)	Perpendicular (↑) Lifting Force (kg)	Parallel (→) Lifting Force (kg)	Radius of curvature R (mm)
		-60 kPa	-60 kPa	
VOBF 30X60	11	5.6	5.8	30
VOBF 40X80	22.5	10.1	10.1	40
VOBF 55X110	66.5	18.8	18.3	50



▲ Female

▲ Male

Model	W	L	G	H1	H2	H3	S	SW
VOBF30X60.. - 18M	32	62	G1/8" male	27	20.5	7	6.9	17
VOBF30X60.. - 18F			G1/8" female	31.5	20.5	-		17
VOBF30X60.. - 14M			G1/4" male	27	20.5	8		17
VOBF30X60.. - 14F			G1/4" female	34.5	20.5	-		17
VOBF30X60.. - 38F			G3/8" female	35	20.5	-		22
VOBF30X60.. - N18M			NPT 1/8" male	27	20.5	8.5		17
VOBF30X60.. - NF18F			NPSF 1/8" female	31.5	20.5	-		17
VOBF30X60.. - N14M			NPT 1/4" male	27	20.5	10.9		17
VOBF30X60.. - NF14F			NPSF 1/4" female	34.5	20.5	-		17
VOBF30X60.. - NF38F			NPSF 3/8" female	35	20.5	-		22
VOBF30X60.. - M10M			M10XP1.5 male	27	20.5	12		17
VOBF40X80.. - 18M			42	82	G1/8" male	29.4		23
VOBF40X80.. - 18F	G1/8" female	33.9			23	-	17	
VOBF40X80.. - 14M	G1/4" male	29.4			23	8	17	
VOBF40X80.. - 14F	G1/4" female	36.9			23	-	17	
VOBF40X80.. - 38F	G3/8" female	37.4			23	-	22	
VOBF40X80.. - N18M	NPT 1/8" male	29.4			23	8.5	17	
VOBF40X80.. - NF18F	NPSF 1/8" female	33.9			23	-	17	
VOBF40X80.. - N14M	NPT 1/4" male	29.4			23	10.9	17	
VOBF40X80.. - NF14F	NPSF 1/4" female	36.9			23	-	17	
VOBF40X80.. - NF38F	NPSF 3/8" female	37.4			23	-	22	
VOBF40X80.. - M10M	M10XP1.5 male	29.4			23	12	17	
VOBF55X110.. - 18M	57	112			G1/8" male	36.5	30	7
VOBF55X110.. - 18F			G1/8" female	41	30	-	17	
VOBF55X110.. - 14M			G1/4" male	36.5	30	8	17	
VOBF55X110.. - 14F			G1/4" female	44	30	-	17	
VOBF55X110.. - 38F			G3/8" female	44.5	30	-	22	
VOBF55X110.. - N18M			NPT 1/8" male	36.5	30	8.5	17	
VOBF55X110.. - NF18F			NPSF 1/8" female	41	30	-	17	
VOBF55X110.. - N14M			NPT 1/4" male	36.5	30	10.9	17	
VOBF55X110.. - NF14F			NPSF 1/4" female	43	30	-	17	
VOBF55X110.. - NF38F			NPSF 3/8" female	44.5	30	-	22	
VOBF55X110.. - M10M			M10XP1.5 male	36.5	30	12	17	

[Measure Unit : mm]



Germany

V'tec Vakuum Technologie GmbH
 Auf dem Brühl 6
 D-72658 Bemflingen, Germany
 Tel: +49(0)7123/932834
 Fax: +49(0)7123/932865
<http://www.vmecca.com>
 e-mail: V.tec@t-online.de



Asia

VTEC/KPS Co., Ltd.
 501-5, Doksan-dong, Geumcheon-gu
 Seoul, Korea
 Tel: +82-2-2617-5008 (Rep.)
 Fax: +82-2-2617-5009
<http://www.vmecca.com>
 e-mail: vmecca@vmecca.com



USA

VtecUSA Inc.
 1305 N. San Gabriel Bl., #203,
 South San Gabriel, CA 91770
 Tel: +1-213-258-7114(Rep.)
 Fax: +1-626-569-9978
<http://www.vtecusa.com>
 e-mail: ca@vtec.dk