

VS Series (Sponge)

Features and Strengths

Used for handling rough and uneven surfaces and when used with ball joint option and level compensator option can accommodate very unlevel and uneven surfaces.



Suitable for Handling

- Marble
- Paving Slabs
- Bricks
- Rough Wood
- Masonry



Order No.

VS60 **E** **F** - **NF18F** **BV** - **LN 1820T** **BJ** **N18**

① ② ③ ④ ⑤ ⑥ ⑦

► See pages 60-65.

① Diameter

VS35	- 1.37"
• VS60	- 2.36"
VS100	- 3.93"
VS150	- 5.9"
VS200	- 7.87"
VS300	- 11.81"
VS400	- 15.74"

② Material

- **E** - EPDM

③ Adjustable support (Handling for thin Film)

- no mark - standard
- **F** - with adjustable* support (See page : 17)

* Not available with BV (Button valve)option

④ Thread size

- **NF18F** - 1/8"NPSF female (VS35, VS60)
- 12F - G1/2" female (VS100, VS150, VS200)
- 34F - G3/4" female (VS200, VS300, VS400)

⑤ Valves

- no mark - standard
- **BV** - Button valve (See page : 16page) (VS35, VS60, VS100, VS150)

Accessories order No.

LN 1820T BJ N18

⑥ ⑦

⑥ Level Compensator		⑦ Ball joint model
Model	Stroke (in)	
L1805M	0,197	• BJ N18
LN1810T, LN1810TS, LN1810TSE	0,394	
LN1815T, L1815	0,59	
• LN1820T, LN1820TS	0,787	
LN1820TN*	0,787	
L1830, LN1830T, LN1830TS	1,181	
L1850, LN1850T	1,968	
LN1230, LN1230T	1,181	BJ12
LN1250, LN1250T	1,968	

*Not available with ball joint(BJ)

Recommended (max.) lifting forces

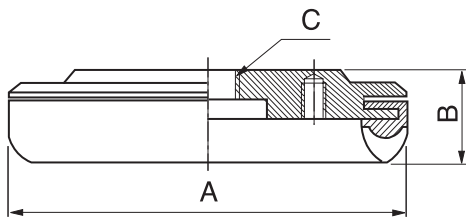
Model	Volume (in ³)	Lifting Force (lb.f) – Perpendicular		
		-6 inHg	-18 inHg	-27 inHg
VS35	0,36	4,497	11,244	15,741
VS60	1,22	13,492	33,731	49,472
VS100	3,35	40,477	101,192	148,459
VS150	7,62	83,776	213,848	304,238
VS200	33,1	168,720	427,410	607,396
VS300	78,4	359,927	967,322	1439,751
VS400	139,4	718,707	1931,250	2866,010

SUCTION CUPS

Dimensional Information

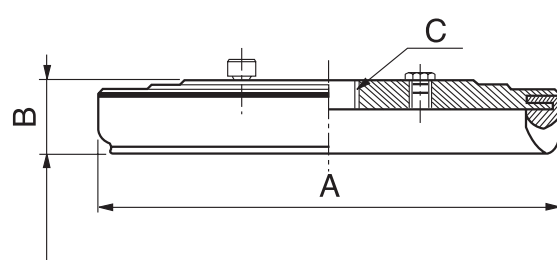
Female thread

VS35, 60, 100, 150



Model	A	B	C
VS35	1,673	0,610	1/8" NPSF
VS60	2,657	0,610	1/8" NPSF
VS100	4,232	0,768	G1/2"
VS150	6,201	0,768	G1/2"

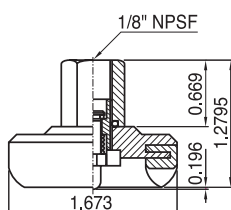
VS200, 300, 400



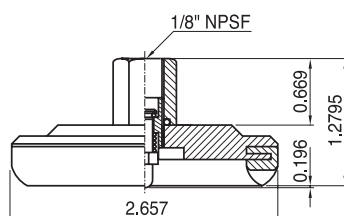
Model	A	B	C
VS200	8,465	1,339	G1/2", G3/4"
VS300	12,402	1,339	G3/4"
VS400	16,339	1,339	G3/4"

Button valve dimensional Information

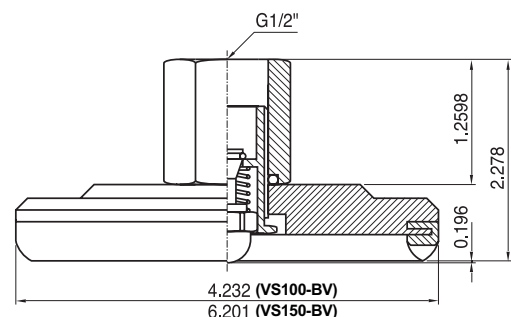
VS35-BV



VS60-BV



VS100-BV
VS150-BV



[Measure unit : inch]